



western
window systems

Performance Line

"Western Window Systems products fit with our design philosophy because we like to use well-engineered products with clean lines. Function is paramount, but aesthetic can be just as important."

– Dale Rush, partner, Hazelbaker Rush



Design Better

For additional information, please contact:

Western Window Systems
2200 E. Riverview Dr.
Phoenix, AZ 85034
877-268-1300

westernwindowssystems.com

For sales inquiries, please visit:

westernwindowssystems.com/contact-us



Follow us on:

Facebook

www.facebook.com/WesternWindowSystems

YouTube

www.youtube.com/user/westernwindowssystems

Twitter

@WesternWS

Instagram

@western_window_systems

Houzz

www.houzz.com/pro/westernws

LinkedIn

www.linkedin.com/company/western-window-systems

About Western Window Systems

- 6 Welcome to Awesome
- 8 Live, Design, Build Better

Our Most Innovative Product Family Yet

- 10 About the Series 7000 Family

Sliding Door Systems

- 12 Series 7600 Multi-Slide Door ■■■■
- 18 Series 7650 Sliding Glass Door ■■■■

Folding Door Systems

- 24 Series 7950 Bi-Fold Door ■■■■

Hinged and Pivot Doors

- 30 Series 7900 Hinged Door ■■■■
- 34 Series 7980 Pivot Door ■■■■

Windows

- 38 Series 7630 Window Wall ■■■■
- 44 Series 7000 Window Line ■■■■
- 50 Series 7610/7620 Operating Window Line ■■■■

Simulated Steel Line

- 54 Unlike Anything Else ■■■■

What You Can Expect

- 64 Support and Resources

Technical Specifications

- 70 Series 7600/7600s Multi-Slide Door ■■■■
- 78 Series 7650/7650s Sliding Glass Door ■■■■
- 88 Series 7950/7950s Bi-Fold Door ■■■■
- 98 Series 7900/7900s Hinged Door ■■■■
- 102 Series 7980/7980s Pivot Door ■■■■
- 108 Series 7630/7630s Window Wall ■■■■
- 114 Series 7000/7660s/7670s Window Line ■■■■
- 124 Series 7610 Single-Hung Window ■■■■
- 126 Series 7620 Sliding Window ■■■■
- 128 Infographic: Classic, Performance, and Simulated Steel Families
- 130 Aluminum Finishes



THE PGT INNOVATIONS FAMILY OF BRANDS





Welcome to Awesome

Western Window Systems was founded in a warehouse in Phoenix with just a handful of employees. Flash-forward to today and our head count has grown to more than 400 talented individuals passionate about helping millions of people live better by making the best doors and windows on the planet. Our new facility, completed in 2017 and located just up the street from our first home, was designed to foster that passion and reflect who we are.



Our Vision

What fuels our passion to be the best? A single vision statement: Have fun creating a winning company that changes construction and helps our partners live better. This vision serves as an inspiration for everything we do.

Our Values

In every aspect of our business we strive to excel, approaching every challenge with courage, honesty, and a determination to succeed. We take pride in what we do and work together to achieve outstanding results.

By challenging stereotypes and existing norms, we create unique products and solutions that delight our customers. We dare to take risks. We promote collaboration across teams and with our external partners to allow us to innovate in ways others cannot.

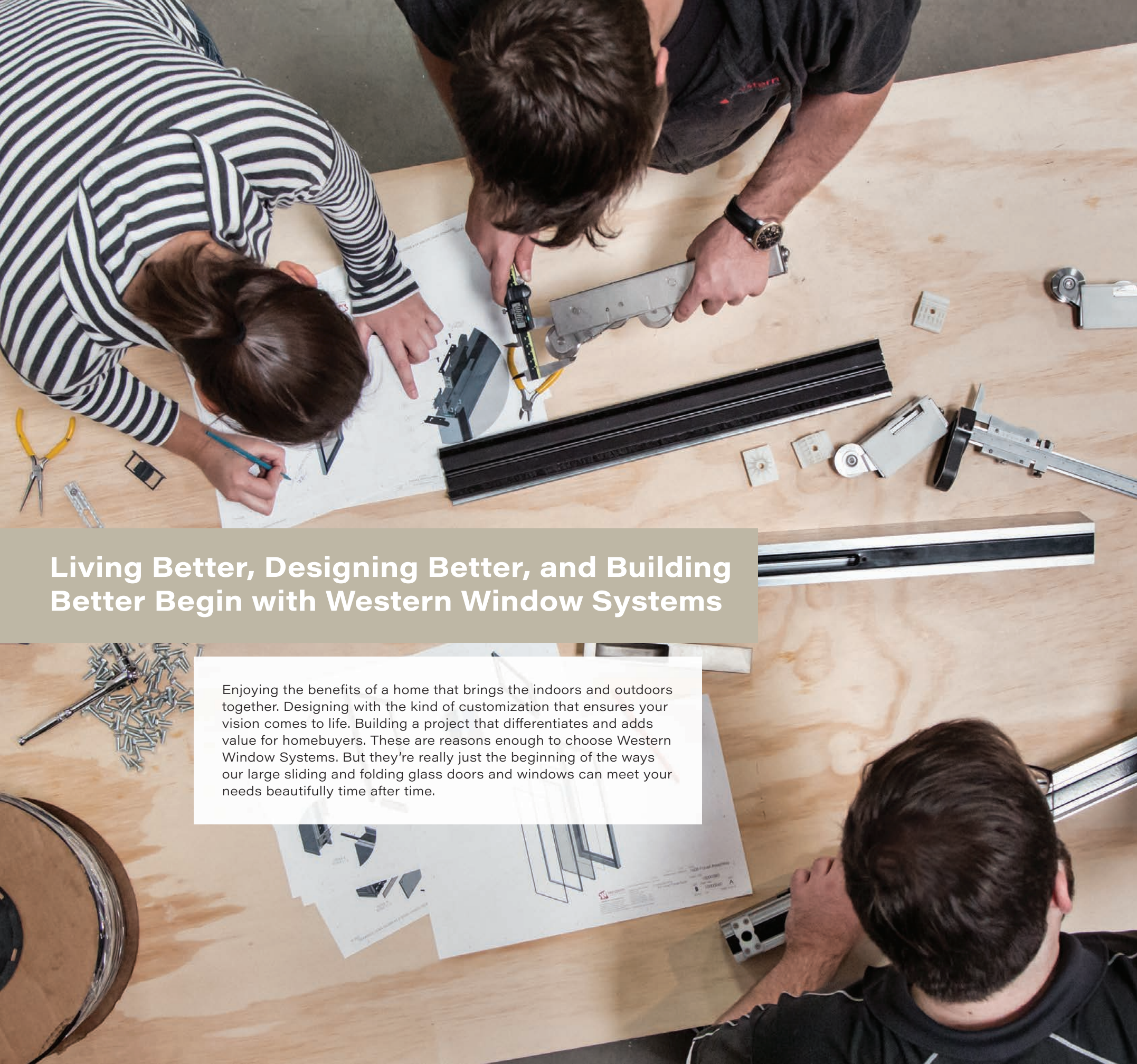
We believe in treating others the way we wish to be treated. By being respectful of others, we maintain a high level of professionalism and encourage openness to new ideas. We believe in giving back whenever we can and strive to make the world a better place.

Smarter Manufacturing

Western Window Systems has been recognized industry-wide for the innovation and quality of its products and the relationships it forges with its employees, dealer partners, architects, homebuilders, and homeowners.

Western Volunteers

Here at Western Window Systems, we're passionate about giving back to the community. Since we started Western Volunteers, our volunteer program for employees and their families, we've hand-packed over 20,000 meals for malnourished kids, helped to feed over 600 needy families, and donated our foosball table to the local Boys & Girls Club.

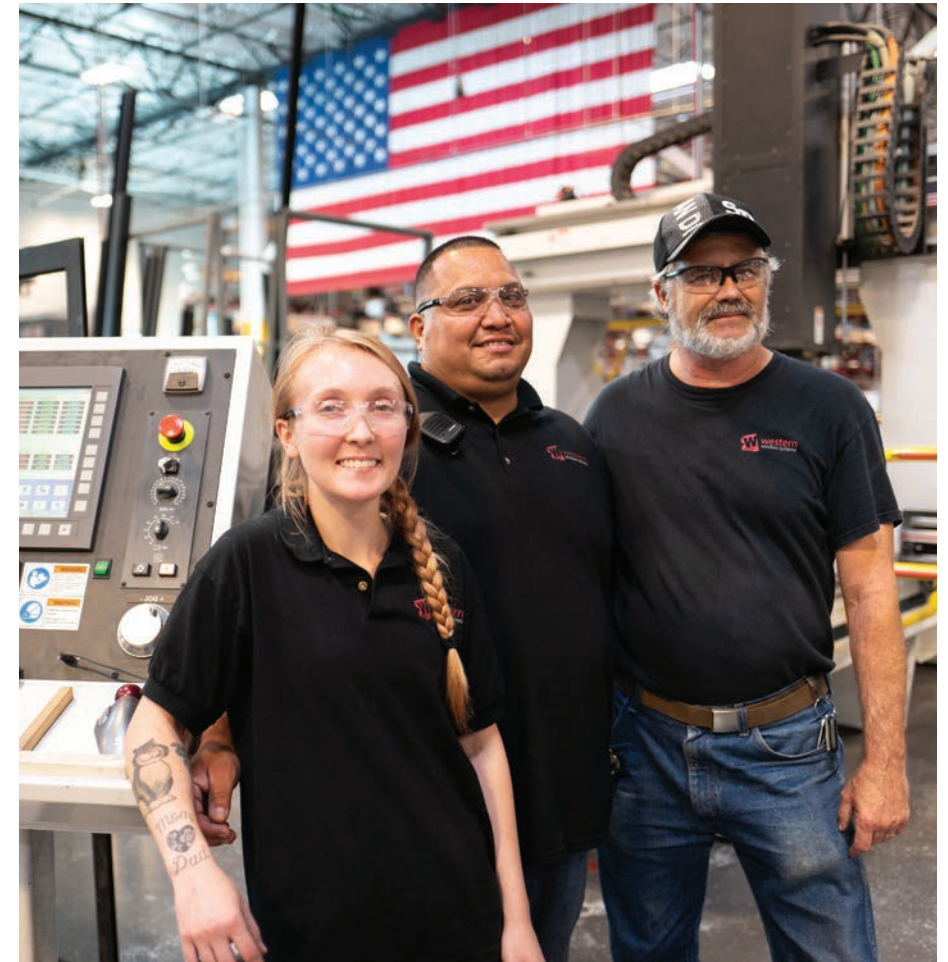


Living Better, Designing Better, and Building Better Begin with Western Window Systems

Enjoying the benefits of a home that brings the indoors and outdoors together. Designing with the kind of customization that ensures your vision comes to life. Building a project that differentiates and adds value for homebuyers. These are reasons enough to choose Western Window Systems. But they're really just the beginning of the ways our large sliding and folding glass doors and windows can meet your needs beautifully time after time.

Designed for Indoor-Outdoor Living

Western Window Systems' large moving walls of glass are more than just entryways; they're centerpieces for indoor-outdoor living. Seamlessly merging the indoors with the outside, they transform space by expanding living areas, maximizing views, and letting in loads of natural light and fresh air. The result: a new kind of gathering space that lets you entertain, relax, and live better than ever.



Originality in Every Project

Whatever your taste in home styles or building designs, you'll find limitless expression with Western Window Systems. Choose a sliding door that neatly tucks away into a pocket, a folding door that creates a grand entrance from corner to corner, or a 90-degree style that completely opens up a room. Further customize your door with sill options, handles, and finishes. By offering infinite ways to express your originality, it's no wonder Western Window Systems is an architectural element in so many projects.

Built and Tested to Last

Western Window Systems products are designed to withstand not only the elements but also the test of time. Strong and durable, they undergo rigorous testing before getting certified by the National Fenestration Rating Council (NFRC) and the American Architectural Manufacturers Association (AAMA) for use in the United States and Canada.

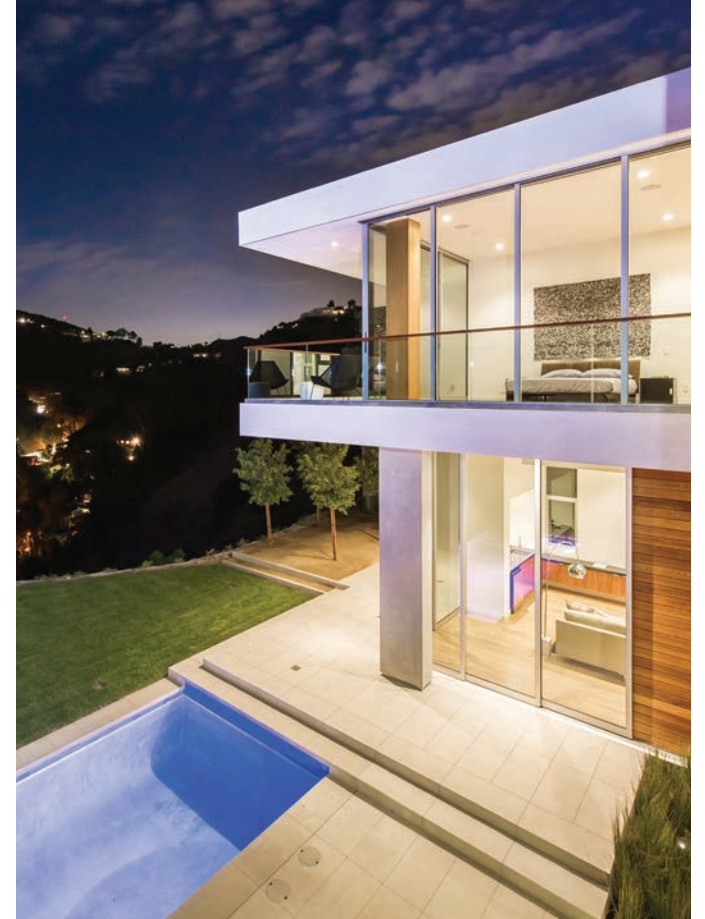


Series 7000

Our Most Innovative Product Family Yet

Built into every Western Window Systems Series 7000 aluminum product is the belief that your design ideas and preferences, not energy or structural limitations, should determine the look of your project.

Our family of moving glass walls and windows addresses energy and structural requirements while promoting the thin profiles and large expanses of glass that have made Western Window Systems a centerpiece in so many contemporary and modern homes. We put the control in your hands so the product you have in mind can be the product you see in the finished design.



The Size You Want, Precisely

Your taste for true contemporary design and large expanses of glass finds nearly limitless expression with Western Window Systems' Series 7000 aluminum product family. Choose completely customizable moving glass walls and windows that, thanks to our signature design, can go taller and wider than you'd expect. Options such as configurations, sills, and finishes allow for complete design flexibility. Plus, Series 7000 products easily integrate to form a unified look throughout an entire project.

Strength and Impact

Featuring proprietary Insulbar profiles for increased thermal performance and strength, Western Window Systems' Series 7000 aluminum doors and windows are designed to meet the nation's toughest building codes. Tested to a design pressure rating of 50, the Series 7000 family supports triple-pane, laminated, and security glass essential for noise reduction, making them perfect for a variety of projects.

Designed with Energy Efficiency in Mind

Unequivocally energy-focused, Western Window Systems' Series 7000 family is all about significantly reducing energy consumption through features like a signature aluminum extrusion design; across-the-board low U-value ratings; and low-E, argon-filled dual-pane glass from Cardinal IG. Even California's rigorous Title 24 requirements are met in both the prescriptive and performance methods.

Series 7600 Multi-Slide Door

Embodying nearly 60 years of advancements in multi-slide door design, the Series 7600 is packed with innovations that address energy and structural requirements. Of course, the design elements that have made it a favorite with architects — thin profiles and large, unobstructed rolling glass panels that stack or slide into pockets — are still unmistakable.

Design Better

Series 7600 Multi-Slide Door



Energy Efficiency

To deliver energy efficiency in a variety of weather conditions, the Series 7600 has a .30 U-value for standard low-E, argon-filled dual-pane glass, and a .19 U-value for high-performance triple-pane glass. It's NFRC-certified and compliant with California's rigorous Title 24 requirements.

Cardinal Glass

Glass from Cardinal IG can be customized in a variety of types, colors, and thicknesses and includes options such as laminated glass, solar- and glare-control glass, enhanced winter performance glass, and Neat naturally clean glass. Pre-applied Cardinal Preserve film protects glass during installation.

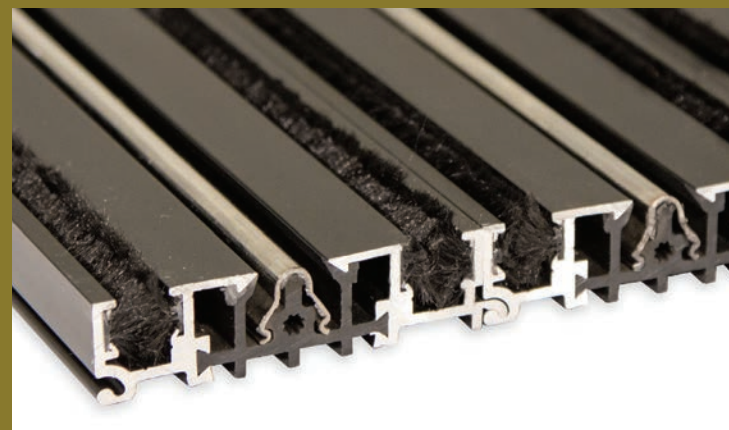
Taller and Wider Sizes

Offering some of the biggest sizes of any brand, the Series 7600 is available in heights up to 15 feet. Choose from pocketing, non-pocketing, and bi-parting configurations. There's even a 90-degree option that completely opens up the sides of a room by eliminating a connecting post. An interlock stile with a narrow 2.9" width keeps lines clean and glass big.



Concealed Locking System

The Series 7600 includes a hidden stainless steel multi-point lock to secure its large sliding panels, providing additional strength and protection. A keyed cylinder option is available.



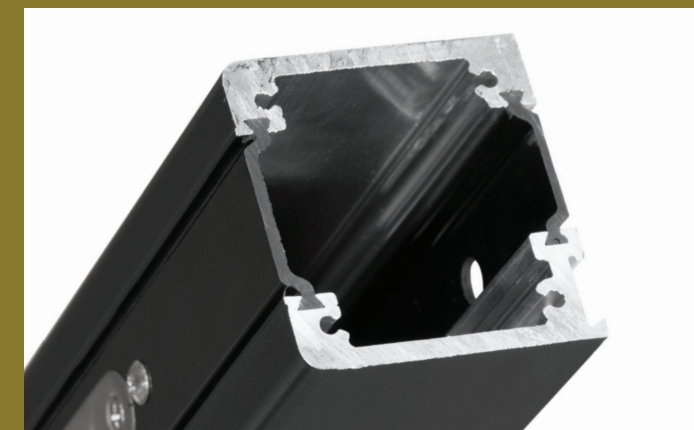
Smooth Operation

Sealed stainless steel ball bearing rollers make our aluminum multi-slide doors easy to operate. An interlocking track design provides structural integrity and makes it possible to span wide openings with almost any number of panels.



Heavy-Duty Hardware

Rolling hardware includes two options: a standard 1.81" tandem roller and our signature Quad-Zilla Roller, capable of handling extreme panel sizes and heavy glass types.



Tested for Durability

The Series 7600 Multi-Slide Door features a design pressure (DP) rating of 50 and is certified by the AAMA.

Options: Series 7600 Multi-Slide Door

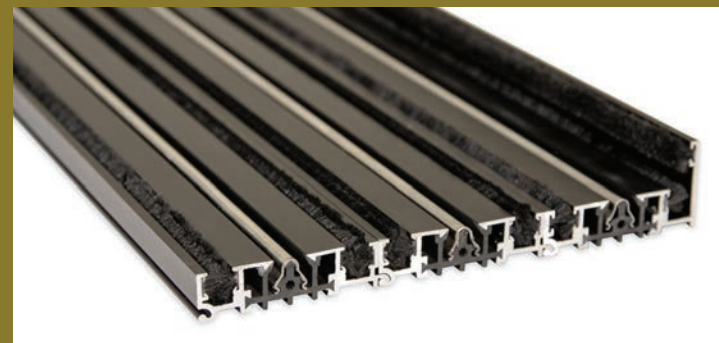


Screen

Our aluminum frame panel screen integrates seamlessly with our multi-slide doors while providing optimal ventilation and protection from outside pests.

System Automation

All Western Window Systems multi-slide doors are designed with automation in mind. Third parties handle the design, purchase, and installation of all automation systems.



High-Performance Water Barrier Sills

Our water barrier sills are available in two different sizes and pressure ratings. A weep system helps safeguard against water intrusion. For additional protection, the legs of each sliding panel penetrate the track to keep out dust and debris.



Flush Sill*

With an interior and exterior sill height of just 0.75", the flush sill lines up with most interior flooring for a smooth transition to the outside. Weep holes in the track allow water to drain away from the door while the legs of each sliding panel discourage dust and debris.



Thinline Sill*

The ability of our signature thinline sill to hide almost completely makes it ideal for projects in which a continuation of flooring from the inside to the outdoors needs to appear virtually seamless. Staggered tracks expose a slim channel on which the panels roll, with the finished floor installed between them.

*Flush and Thinline sills may be less effective at preventing water penetration than the high-performance water barrier sills and may not be appropriate in all climates, conditions, and exposures.



Contemporary Handle**

Our optional contemporary handle features a minimal one-piece design, comfortable grip, and the option of a keyed cylinder that allows the door to be unlocked from the exterior. Finish is available in brushed nickel or black.

**The contemporary handle is not available on pocketing or 90-degree multi-slide door systems.



Flush-Mounted Handle

The standard choice for all Western Window Systems multi-slide doors, the flush-mounted handle's clean design lets panels easily slide past each other or into a pocket. An optional keyed cylinder allows the door to be unlocked from the exterior. Finish choices are available in brushed nickel or black.

Finishes

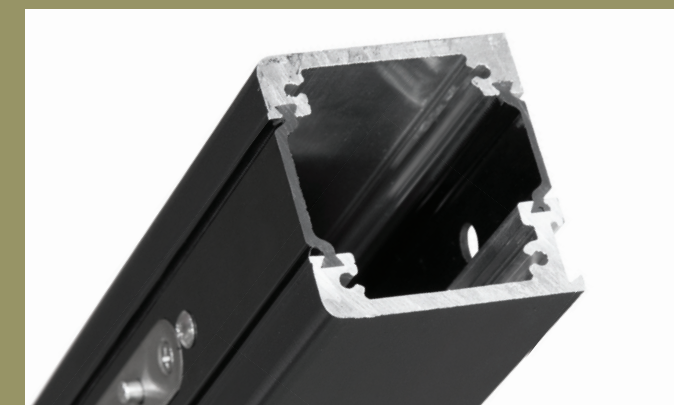
Aluminum finishes are available in-stock or as designer selections, and they can be customized to match nearly any color. For approximate finish options, see page 130. For exact paint swatch samples, contact us.

Series 7650 Sliding Glass Door

The Series 7650 Sliding Glass Door is more than the next generation of patio door — it's a performance-focused solution for contemporary living spaces. Our strongest and most energy-efficient aluminum sliding glass door ever, it's available in sizes that are taller and wider than you might expect and with completely customizable options to fit your tastes and home design.

Design Better

Series 7650 Sliding Glass Door



Tested for Durability and Performance

The Series 7650 Sliding Glass Door features a design pressure (DP) rating of 50 and is certified by the AAMA.



Smooth Operation

Rolling hardware includes a standard 1.81" tandem roller and our signature Quad-Zilla Roller, capable of handling extreme panel sizes and heavy glass types.

Heavy-Duty Hardware

Western Window Systems uses stainless steel hardware for its door systems.

.30 U-Value

Featuring a .30 U-value for standard low-E, argon-filled dual-pane glass, and a .19 U-value for high-performance triple-pane glass, the Series 7650 is able to deliver energy efficiency in a variety of weather conditions. A signature aluminum extrusion design utilizing proprietary Insulbar technology further reduces energy consumption. NFRC-certified and compliant with California's rigorous Title 24 requirements.

Climate-Ready Glass

The Series 7650 comes standard with Cardinal IG's all-climate coated or high-performance glass, which delivers solar control and high visibility. Glass can be customized in a variety of types, colors, and thicknesses and includes options such as laminated glass, solar- and glare-control glass, enhanced winter performance glass, and Neat low-maintenance glass. Pre-applied Cardinal Preserve film protects glass during installation.

Clean Design, Bigger Sizes

With features such as a narrow 2.9" interlock stile, a modern sill option, and design elements such as jamb covers, consistent sightlines, and a concealed locking system, the Series 7650 maintains a minimalist aesthetic. Engineering efficiencies eliminate the need for a bulky interlock, allowing panels to neatly stack in alignment. Available in heights up to 15 feet in most areas, it's able to go taller and wider than most brands on the market.

Options: Series 7650 Sliding Glass Door



Sill Options

The Series 7650 Sliding Glass Door comes standard with a 1.5" sill. For increased effectiveness against the elements, 2" and 2.6" options feature a higher interior leg. The 1.5", 2", and 2.6" sills meet the commercial specifications of the American Architectural Manufacturers Association (AAMA) and boast a performance rating of DP50. A flush sill option that lines up with most interior flooring is also available. All sills are finished to match the color of the frame.



Contemporary Handle

Our optional contemporary handle features a minimal one-piece design, comfortable grip, and the option of a keyed cylinder that allows the door to be unlocked from the exterior. Finish choices are available in brushed nickel or black.



Screen

Manufactured with a thicker extrusion for durability, our heavy-duty aluminum frame panel screen provides optimal ventilation and protection from outside pests.



Flush-Mounted Handle

The flush-mounted handle is designed to integrate into the panel for a clean aesthetic. An optional keyed cylinder allows the door to be unlocked from the exterior. Finish choices are available in brushed nickel or black.

Finishes

Aluminum finishes are available in-stock or as designer selections, and they can be customized to match nearly any color. For approximate finish options, see page 130. For exact paint swatch samples, contact us.

Series 7950 Bi-Fold Door

Reinvented for strength and energy efficiency, the Series 7950 Aluminum Bi-Fold Door is a perfect solution for architects, builders, and homeowners who want to design, build, and experience indoor-outdoor living in a variety of weather conditions. As durable as it is impeccably designed, it's built with premium-grade materials and a flush sill option for a seamless transition from the indoors to the outside.

Design Better

Series 7950 Bi-Fold Door



Carrier Hinge - Head Load Bi-Fold



Heavy-Duty Carrier Hinge - Head Load Bi-Fold

Heavy-Duty Hardware

Western Window Systems uses stainless steel hardware for its door systems. Head load carrier hinges are available in standard and heavy-duty capacities for extreme panel sizes and heavy glass types.



Energy Efficiency

The Series 7950 features a .30 U-value for standard low-E, argon-filled dual-pane glass. A signature aluminum extrusion design utilizing proprietary Insulbar technology further reduces energy consumption. Compliant with California's rigorous Title 24 requirements.

Tested for Durability

STC-rated for acoustic performance.

Built for Strength

For strength against the elements a thin extrusion profile with a 5.875" frame depth supports triple-pane, laminated, and security glass — essential options for noise reduction as well as impact resistance. The Series 7950 is currently in testing for hurricane impact.

Concealed Locking System

To secure its folding panels, the Series 7950 includes a hidden stainless steel multi-point lock for additional strength and protection. An optional keyed cylinder is available.

Smooth Operation

Sealed stainless steel ball bearing rollers make the Series 7950 Bi-Fold Door easy to operate. A single track minimizes wall depth.

Climate-Ready Glass

All-climate coated or high-performance glass from Cardinal IG delivers solar control and high visibility and comes standard with the Series 7950 Bi-Fold Door. Customized glass options include laminated glass, solar- and glare-control glass, enhanced winter performance glass, and Neat low-maintenance glass. Pre-applied Cardinal Preserve film protects glass during installation.

Options: Series 7950 Bi-Fold Door



Water Barrier Sill

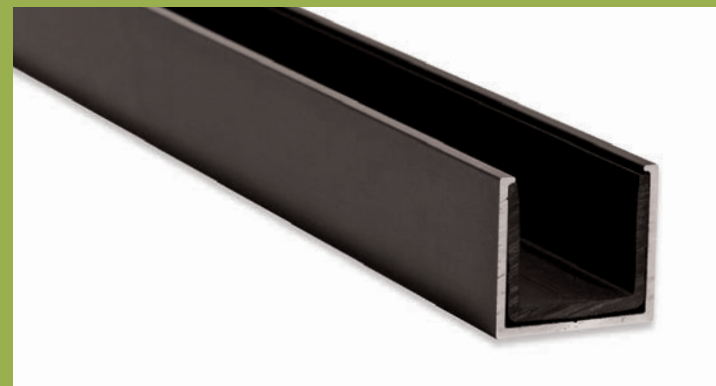
The Series 7950 Bi-Fold Door comes standard with a 2" water barrier sill to help safeguard against water intrusion. Finished to match the color of the frame.



Flush Sill*

For a smooth transition from the inside to the outdoors, the optional flush sill lines up with most interior flooring and features an interior and exterior height of just 0.958". Finished to match the color of the frame.

*The flush sill may be less effective at preventing water penetration than the high-performance water barrier sill and may not be appropriate in all climates, conditions, and exposures.



U-Track

The optional U-track allows for a flush transition from room to room. The U-track is not warranted against water penetration. Available in a dark bronze finish.



Design to Fit Your Tastes

The Series 7950 incorporates durability with a clean, contemporary design. A 3.17" stile allows for more glass and light. Options such as a modern sill, 90-degree configurations, and split finishes result in limitless ways to fit your tastes. The Series 7950 can even be designed as a window — perfect for opening up living spaces like kitchens and patio bars. Available in heights up to 12 feet in select configurations and using heavy-duty hardware.

High-Quality Handles

Designed for durability and comfort, the Series 7950 features three high-quality, contemporary handles. The Dallas handle, located on all active panels, includes an optional key lock. A D-shaped pull handle, at the bi-fold's pivot points, further aids in opening and closing the door. And an inactive lock handle, at the door's pivot points, secures the door panels with steel pins at the head and sill.

Finishes

Aluminum finishes are available in-stock or as designer selections, and they can be customized to match nearly any color. For approximate finish options, see page 130. For exact paint swatch samples, contact us.

Series 7900 Hinged Door

With clean styling and wide glass panels that maximize views and let in light, this is the look that comes to mind when you hear "modern entryway." From impressive main entrances to standard openings, the Series 7900 Hinged Door combines versatility with durability and energy performance. Bottom line? A reliable and completely customizable solution to fit nearly any home design.

Design Better



Energy Efficiency

Energy-smart in a variety of weather conditions, the Series 7900 features a .30 U-value for standard low-E, argon-filled dual-pane glass, and a .21 U-value for high-performance triple-pane glass. Our signature aluminum extrusion design further reduces energy consumption. The Series 7900 is compliant with California's rigorous Title 24 requirements.

Size and Strength

The Series 7900 Hinged Door is performance-rated at DP50 and is available in single or double inswing and outswing configurations. Standard jambs are available for panel sizes up to 4' x 10'. Heavy-duty jambs are required for larger sizes (up to 5' x 12').

Cardinal Glass

The Series 7900 Hinged Door comes standard with Cardinal IG's all-weather coated or high-performance glass, which provides solar control and high visibility. Glass can be customized in a variety of types, colors, and thicknesses. Options include laminated glass, solar- and glare-control glass, enhanced winter performance glass, and Neat low-maintenance glass. Pre-applied Cardinal Preserve film protects glass during installation.

Smooth Operation and Hardware

Available with the medium stile, an optional concealed overhead closure and secondary lock ensure the door is self-closing. On doors over 96" tall, stainless steel roller catches are utilized to help pull the door in tight.

Versatility

For even more design flexibility, the Series 7900 Hinged Door can be combined with our fixed and hinged windows.



Standard Threshold

Ideal for residential applications, the standard threshold is 5.875" wide and features a 1" exterior step (1.69" for inswing doors) that protects against water penetration and allows full-perimeter weatherstripping on outswing doors, reducing air infiltration. Inswing doors are equipped with a weatherstrip assembly mounted to the bottom of the door that sweeps against the threshold. Finished to match the color of the frame.

Commercial Threshold*

The Series 7900 Hinged Door utilizes a low-profile commercial threshold that favors ease of entry over protection from the elements. Available in satin and bronze anodized finishes. Capable of meeting ADA (Americans with Disabilities Act) requirements.

*The commercial threshold may be less effective at preventing water penetration than the standard threshold and therefore may not be appropriate in all climates, conditions, and exposures.

Handles

Our Dallas handle features a minimal one-piece design and comfortable grip. A ladder pull handle is also available. Finishes include brushed nickel and black.

Type C Lock

Our standard deadbolt lock, the heavy-duty Type C features a 1.5" backset on medium-stile doors. Available with medium stile only.

Three-Point Lock

Used for doors up to 10', this lever-activated multi-point lock provides additional vertical strength and security through several locking points in the jamb or inactive stile.

Five-Point Lock

This multi-point style lock is lever-activated and provides additional vertical strength and security through several locking points in the jamb or inactive stile.

Six-Point Lock

The strongest of the hinged door locks, this multi-point lock is lever-activated and provides additional vertical strength and security through several lock points in the jamb or inactive stile and bolts in the head and threshold.

Finishes

Aluminum finishes are available in-stock and as designer selections. They can also be customized to match nearly any color. For approximate finish options, see page 130. For exact paint swatch samples, contact us.

Series 7980 Pivot Door

Bold entries find unmistakable expression in the Series 7980 Pivot Door. Decidedly modern, it boasts stability through custom hardware, energy-efficient materials, and taller and wider sizes. Unequivocally design-forward, the Series 7980 is all about detail, such as a low-profile threshold that seamlessly connects the indoors to the outside. It can be combined with any of our window styles for even more differentiation.

Design Better



Climate-Ready Glass

For solar control and high visibility, the Series 7980 Pivot Door comes standard with Cardinal IG's all-climate coated or high-performance glass. Glass can be customized in a variety of types, colors, and thicknesses. Options include laminated glass, solar- and glare-control glass, enhanced winter performance glass, and Neat low-maintenance glass. Pre-applied Cardinal Preserve film protects glass during installation.

Taller and Wider Sizes

The Series 7980 Pivot Door can swing in or out and is available in widths up to 96" and heights up to 144." For even more design flexibility, it can be partnered with any of our fixed or hinged window styles.

Energy Efficiency

The Series 7980 features simulated NFRC values as low as .30 with standard low-E, dual pane glass. A signature aluminum extrusion design reduces energy consumption. Compliant with California's rigorous Title 24 requirements.

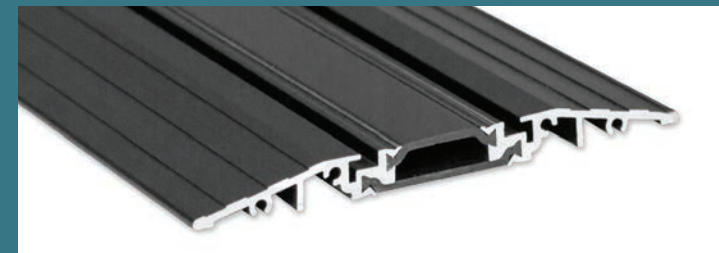
Clean Design

Large glass and a minimal frame allow for more light and a modern style. For commercial use, a 5.975" frame depth is comparable to that of typical storefront systems.



Heavy-Duty Hardware

Standard hardware includes the Type C lock (our standard deadbolt lock with a 1.5" backset), top and bottom roller catches to help pull the door in tight, and a 48" tall offset ladder-style pull handle available in a brushed steel or black finish.



Commercial Threshold*

The Series 7980 Pivot Door utilizes a low-profile commercial threshold that favors ease of entry over protection from the elements. Available in satin and bronze anodized finishes. Capable of meeting ADA (American Disabilities Act) requirements.

*The commercial threshold may be less effective at preventing water penetration than the standard threshold and therefore may not be appropriate in all climates, conditions, and exposures.

Smooth Operation

Custom pivot hardware supports the weight of the Series 7980 on the bottom arm, creating less stress on the frame and allowing the door to swing smoothly and effortlessly. Even massive doors weighing up to 500 pounds open with ease. An optional concealed overhead closure and secondary lock ensure the door is self-closing.

Durability

Built to last, the Series 7980 Pivot Door is designed with secured corners and top and bottom rails that nest with the stiles for a permanent, rigid connection.

Finishes

Aluminum finishes are available in-stock and as designer selections. They can also be customized to match nearly any color. For approximate finish options, see page 130. For exact paint swatch samples, contact us.



Series 7630 Window Wall

Whether you're designing a single-panel or door-size opening, or a glass wall that spans an entire facade, the Series 7630 Window Wall delivers a durable, energy-efficient solution that allows for a modern look and more glass in a variety of weather conditions. And because it's able to integrate with other Series 7000 sliding doors, ventilating windows, and hinged doors, your design style finds limitless expression.

Design Better

Series 7630 Window Wall



Energy Efficiency

Able to deliver energy efficiency in a variety of weather conditions, the Series 7630 Window Wall features a .29 U-value for standard low-E, argon-filled dual-pane glass, and a .17 U-value for high-performance triple-pane glass. A signature aluminum extrusion design utilizing proprietary Insulbar technology further reduces energy consumption. The Series 7630 is NFRC-tested and complies with California's rigorous Title 24 requirements.

Strength

For strength against the elements, the Series 7630 Window Wall achieves a performance grade of CW-PG100 at sizes up to 60" x 120" (CW-PG100 includes a design pressure of 100 pounds per square foot, the equivalent of 200 mph winds). A thin extrusion profile supports triple-pane, laminated, and security glass — essential options for noise reduction. The Series 7630 is currently in testing for hurricane impact.

Designed for Every Space and Style

The mulling process for the Series 7630 Window Wall keeps sightlines narrow, resulting in a clean, contemporary look that can be replicated through an entire wall of glass. For even more customization, a 5.875" frame depth allows Series 7000 sliding doors, ventilating windows, and hinged doors to directly mull to any combination of windows. Available in heights up to 16 feet, depending on application.

Options: Series 7630 Window Wall



Standard Base Sill

The standard base sill for the Series 7630 Window Wall is 0.875" tall and is used around the perimeter of all Series 7000 fixed windows.



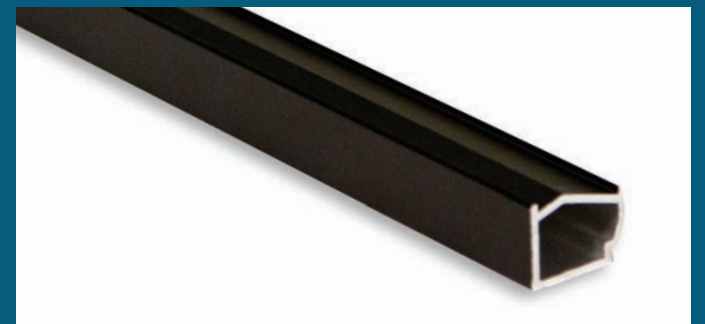
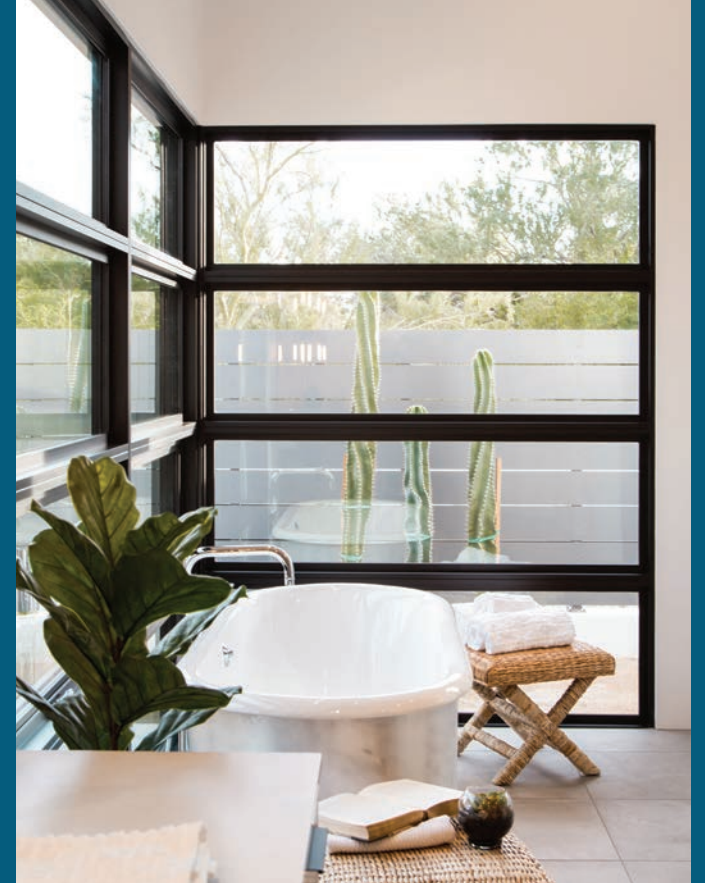
High Base Sill

Perfect for fixed windows that will sit directly on a finished floor, the high base sill is 1.75" tall.



Extruded Nail Fin

For additional protection against the elements, the perimeter of the Series 7630 Window Wall is available with an extruded nail fin located 1" from the exterior.



Standard Stop

The standard stop for the Series 7630 Window Wall features a classic stepped profile with removable stops and weep holes at the base. Available in multiple dimensions, it can accommodate 1", 1.3", and 1.6" OA glass.

Cardinal Glass

Performance glass options from Cardinal IG can be customized in a variety of types, colors, and thicknesses. Options include laminated glass, solar- and glare-control glass, enhanced winter performance glass, and Neat low-maintenance glass. Pre-applied Cardinal Preserve film protects glass during installation.

Finishes

Aluminum finishes are available in-stock or as designer selections. They can be customized to match nearly any color. For approximate finish options, see page 130. For exact paint swatch samples, contact us.

Series 7000 Window Line

Create projects in which windows stand out or, if you prefer, blend in. Choose casement, awning, hopper, and fixed window styles for eye-catching contemporary statements. Or have them directly mullied to Series 7000 sliding doors, fixed window walls and hinged doors for an integrated solution with a clean overall appearance. Low U-values, Cardinal glass, and outstanding performance ratings make the Series 7000 window line our most energy efficient ever.

Design Better

Series 7000 Window Line



Energy Efficiency

In addition to the Series 7000 window line's low U-values (see pages 48 and 49 for more information), a signature aluminum extrusion design utilizing custom Insulbar technology further reduces energy consumption. Windows are NFRC-tested and comply with California's rigorous Title 24 requirements.

Strength

For strength against the elements, the Series 7000 casement, awning, and fixed windows received a performance rating of CW-PG50. A frame depth of 5.875" supports triple-pane, laminated, and security glass — essential options for noise reduction. The Series 7670 Casement, Series 7660 Awning, and Series 7675 Fixed Window are currently in testing for hurricane impact.

Cardinal Glass

The Series 7000 hinged window line offers performance glass options from Cardinal IG that include laminated glass, solar- and glare-control glass, enhanced winter-performance glass, and Neat low-maintenance glass. Pre-applied Cardinal Preserve Film protects glass during installation.

Screening

Screens for the Series 7000 window line are manufactured from extruded aluminum for durability and are finished to match the window's frame color.

Finishes

Aluminum finishes are available in-stock or as designer selections. They can be customized to match nearly any color. For approximate finish options, see page 130. For exact paint swatch samples, contact us.

Series 7000 Window Line



Casement

The Series 7670 Casement Window hinges on the side, swings outward to the left or right, and provides excellent top-to-bottom ventilation. Butt hinges and a roto operator make for effortless opening and closing.

Features

- A .35 U-value for standard low-E, argon-filled dual-pane glass
- A .32 U-value for Cardinal i89 low-E, argon-filled dual-pane glass
- A .25 U-value for high-performance triple-pane glass
- Performance-rated at CW-PG50
- Available in widths from 18" to 36" and heights from 18" to 95.5"
- Screens mounted on the interior



Standard Handle



Awning

The Series 7660 Awning Window hinges on the top, opens outward, and is typically wider than it is tall. Ideal for providing natural light and ventilation to small areas, it saves space by opening out from the bottom with a double scissor arm. Typically placed high on a wall for privacy or in combination with other windows.

Features

- A .36 U-value for standard low-E, argon-filled dual-pane glass
- A .33 U-value for Cardinal i89 low-E, argon-filled dual-pane glass
- A .26 U-value for high-performance triple-pane glass
- Performance-rated at CW-PG50
- Available in widths from 20" to 60" and heights from 18" to 48"
- Motorized operator available for awning windows in hard-to-reach areas



Hinge Hardware

Designed to create a sleeker profile, Series 7000 casement and awning windows feature new hinge hardware and contemporary handles.



Fixed

The non-operational Series 7675 Fixed Window is designed to maximize viewing areas and bring more light into a room. It is commonly used in conjunction with casement and awning windows, which open for airflow, and features matching sightlines to create a clean, smooth appearance.

Features

- A .28 U-value for standard low-E, argon-filled dual-pane glass
- A .25 U-value for Cardinal i89 low-E, argon-filled dual-pane glass
- A .17 U-value for high-performance triple-pane glass
- Performance-rated at CW-PG50
- Available in widths from 18" to 60" and heights from 18" to 95.5". Some restrictions may apply



Hopper

Perfect for places where there is limited space for a window to extend to the outside, the Series 7680 Hopper Window hinges on the bottom and opens from the top. When used in basements, it helps prevent leaves, dust, and other debris from blowing inside while still providing ventilation.

Features

- A .34 U-value for standard low-E, argon-filled dual-pane glass
- A .26 U-value for high-performance triple-pane glass
- Performance-rated at CW-PG50. Available in widths from 14" to 60" and heights from 14" to 44"
- Available with a pawl handle or ring-pull latch with extension pole



Series 7610/7620 Operating Window Line

Western Window Systems' Series 7610 Single-Hung and Series 7620 Sliding Windows have the wide range of size, glass, and finish options that bring new dimensions of versatility to your projects — from residential to commercial applications. An energy-efficient design makes them ideal choices for a variety of weather conditions. Plus, they integrate easily with our sliding doors and fixed windows for maximum views and ventilation.

8244

Design Better

Series 7610/7620 Operating Window Line



Energy Efficiency

In addition to a .34 U-value for standard low-E, argon-filled dual pane glass, our operating window line boasts a signature aluminum extrusion design utilizing custom Insulbar technology that further reduces energy consumption. Windows are NFRC-tested and comply with California's Title 24 requirements.

Strength

The Series 7610 Single-Hung and Series 7620 Sliding Window test units received a performance rating of CW-PG50. A frame depth of 5.875" supports triple-pane, laminated, and security glass — essential options for noise reduction. Currently in testing for hurricane impact.

Locking System

A positive-acting cam lock engages an integrated strike in the frame's center bar. Black finish only.

Heavy Duty Hardware

For strength and smooth operation, Western Window Systems uses premium hardware for its windows. All fasteners are stainless steel.

Climate-Ready Glass

For solar control and high visibility, our operating windows come standard with Cardinal IG's all-climate coated or high-performance glass. Glass can be customized in a variety of types, colors, and thicknesses. Options include laminated glass, solar- and glare-control glass, enhanced winter performance glass, and Neat low-maintenance glass. Pre-applied Cardinal Preserve film protects glass during installation.

Screening

Screens are manufactured from extruded aluminum and employ an easy-to-use concealed clip system. Screen frames are finished to match the window's frame color.

Finishes

Colors are available in-stock or as designer selections. They can be customized to match nearly any color. For approximate finish options, see page 130. For exact paint swatch samples, contact us.



Series 7610 Single-Hung Window

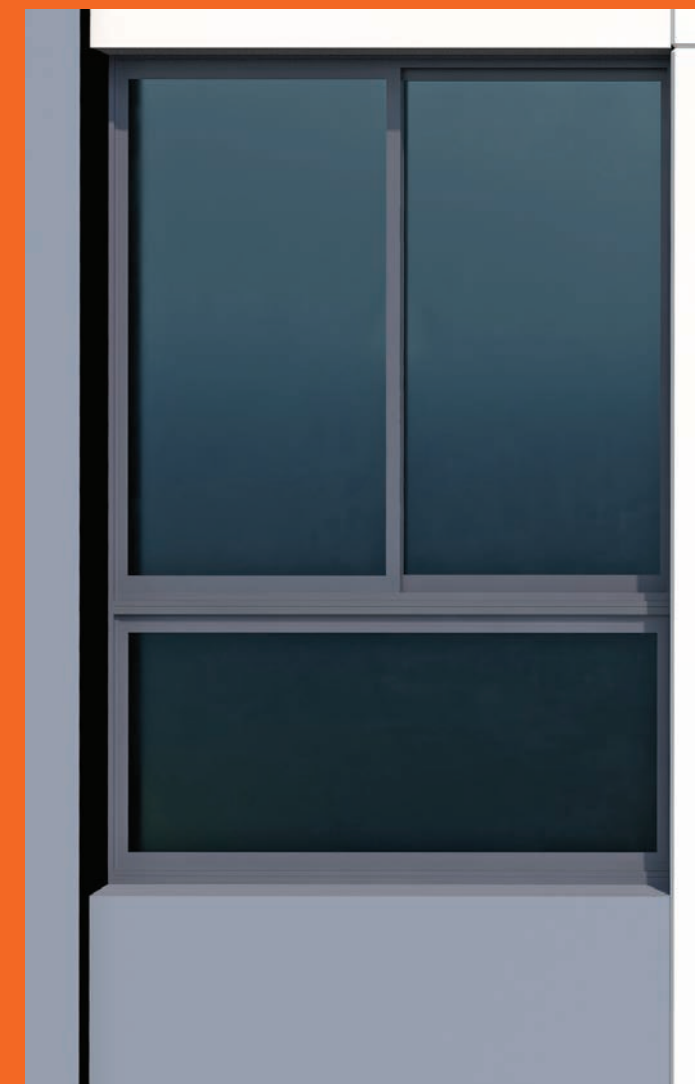
Featuring a top sash that is fixed and a bottom sash that moves up to open and let in fresh air, the Series 7610 Single-Hung Window can also be referred to as a sash window, it's easy to operate, and its contemporary appearance makes it ideal for a variety of projects.

Heavy Duty Hardware

To control the vent panel in the open position, our single-hung windows are equipped with block and tackle-type balances.

Sizes

The Series 7610 Single-Hung Window is available in sizes up to 72" in width and 120" in height. Vent height is typically half the window height. Custom vent heights are available but cannot exceed half the window height.



Series 7620 Sliding Window

The Series 7620 Sliding Window features two or three sashes aligned horizontally and sliding left or right. One sash slides open in a single slider. A double slider allows both sashes to open. Picture sliders have a sliding sash on either side of a stationary sash.

Sizes

Our double-sash sliding window is available in sizes up to 120" in width and 72" in height, with a maximum size of 40 square feet. Triple-sash windows are available up to 120" in width and 72" in height, with a maximum size of 50 square feet. Picture sliders (a sliding sash on either side of a stationary sash) are also available.

Smooth Operation

The sliding panels of the Series 7620 are equipped with durable Celcon rollers mounted in nylon housings modeled after our popular multi-slide door.

An architectural watercolor rendering of a modern, single-story house. The house features a light-colored exterior and a dark, gabled roof. Large, multi-paned windows with dark frames are the focal point, showcasing a simulated steel line design. The windows are set in a recessed area of the house. The scene is complemented by lush greenery, including trees and shrubs, and a clear blue sky. The overall style is clean and contemporary.

Simulated Steel Line

**Like Steel.
Unlike Anything Else.**

Affordable. Energy-smart. Beautiful. These are reasons enough to choose Western Window Systems' simulated steel line of moving glass walls and windows. But as you'll see, they're just the beginning of the ways we can serve your design needs for a multitude of architectural styles.



Solutions for Every Home and Architectural Style

- Series 7600s Multi-Slide Door
- Series 7650s Sliding Glass Door
- Series 7950s Bi-Fold Door
- Series 7900s Hinged Door
- Series 7980s Pivot Door
- Series 7630s Window Wall
- Series 7660s Awning Window
- Series 7670s Casement Window



No Other Simulated Steel Product

Impeccable Design

Embodying nearly 60 years of advancements in door and window design, our thermally broken simulated steel line of moving glass walls and windows reaches new heights of luxury and refinement. Of course, the elements that make Western Window Systems a top choice among architects — clean, narrow profiles to keep glass big and maximize the amount of natural light — are still unmistakable.

Customized to Your Vision

From traditional projects with factory-style windows and doors to modern minimalist looks featuring large panes of glass, you'll find nearly limitless expression with our simulated steel line. Choose made-to-order moving glass walls and windows that, thanks to a signature design, can go taller and wider than you'd expect. Options such as split finishes, screens, and hardware allow for even more design flexibility.

Rewards You in So Many Ways

Superior Performance

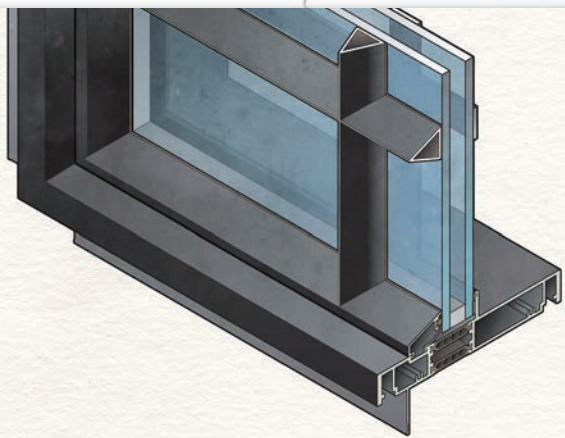
Built with a signature aluminum extrusion design, across-the-board low U-value ratings, and low-E, argon-filled dual-pane glass, Western Window Systems' thermally broken simulated steel line is all about reducing energy consumption. A proprietary Insulbar profile assists in increased thermal performance and strength. All product families are NFRC-tested to a design pressure rating of 50 and support laminated and security glass essential for noise reduction.

Faster, Easier, and More Affordable

Unlike steel doors and windows that can cost double the price of aluminum, require field glazing, and include lengthy lead times, Western Window Systems' simulated steel line is all about inspiration, efficiency, and value. Of course, there's a price advantage — but also completely customizable products, short production lead times, and pre-glazed systems to reduce handling and installation time.

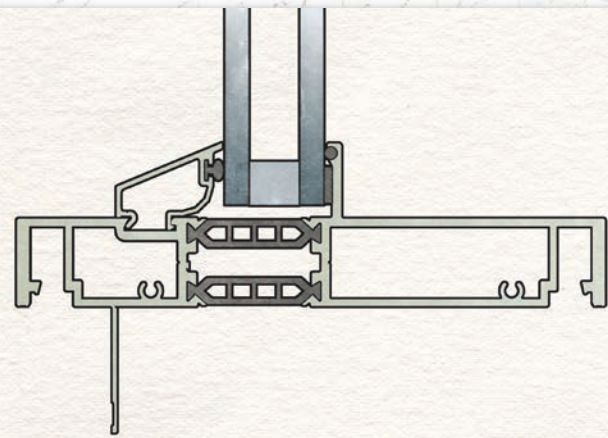


The Features You Want, the Capabilities You Expect



Narrow, Clean Profiles

Decidedly design-forward, the simulated steel line is all about detail, such as beveled glass stops and .875" simulated divided lites (SDLs) designed to emulate a steel putty glaze.



High-Performance Glass

Options from Cardinal IG include laminated glass, solar- and glare-control glass, enhanced winter performance glass, and low-maintenance glass.



Easy Integration

Simulated steel doors and windows easily integrate to form a unified look.



Finishes

Available in-stock, as designer selections, or customized to match any color. See page 130 for options.



Make a Statement on an Epic Scale

Designed around narrow sightlines, beveled glass stops, and coped muntin bars, our simulated steel line replicates the existing steel profiles used in many historic buildings, universities, and commercial projects. Thermally broken aluminum, low U-values, and superior design pressure ratings mean you have the strength and performance to bring your biggest ideas to life.

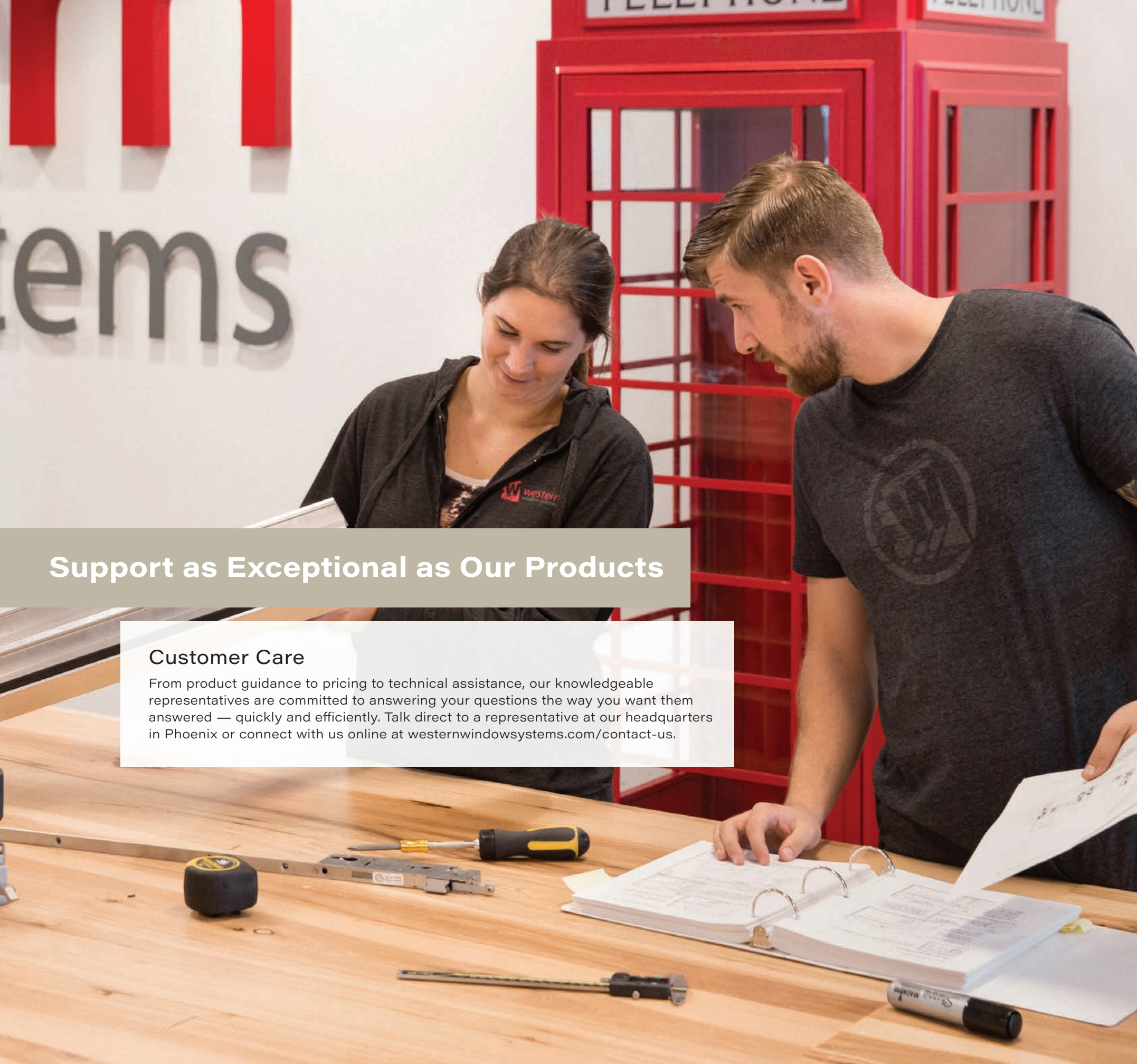
What You Can Expect

Visit a Western Window Systems Dealer Near You

Like us, our dealers are driven by a mission to help people live better. Whether you need product advice or sales and installation services, they have the answers you need. Located in showrooms across North America, many with full-size displays of our products, our dealers are here to ensure that your experience with a Western Window Systems product exceeds your expectations. To find one near you, visit westernwindowssystems.com/contact-us.



Design Better



Support as Exceptional as Our Products

Customer Care

From product guidance to pricing to technical assistance, our knowledgeable representatives are committed to answering your questions the way you want them answered — quickly and efficiently. Talk direct to a representative at our headquarters in Phoenix or connect with us online at westernwindowssystems.com/contact-us.

Shortened Lead Times

To help keep your project on time and on budget, we offer some of the shortest production lead times in the industry. Production lead times are updated daily on every product we make. To get the most current lead times, contact a Western Window Systems representative at westernwindowssystems.com/contact-us.

Online Resources

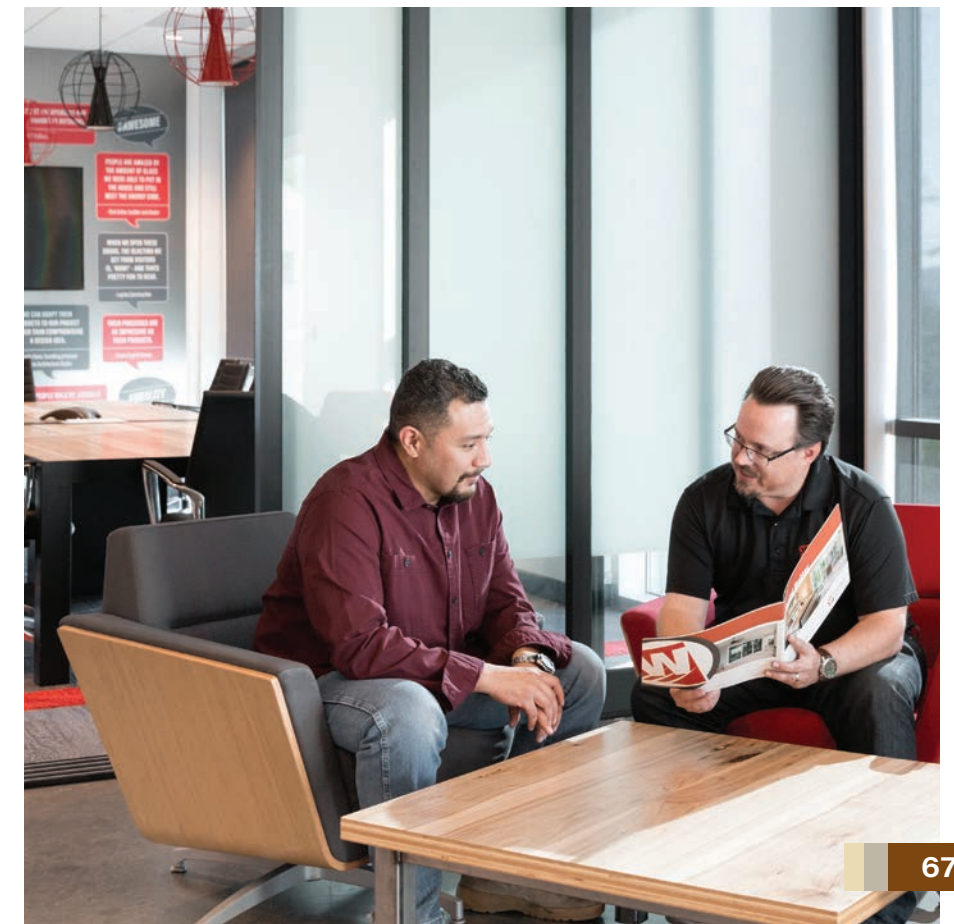
Find specifications, watch installation videos, and download resources like energy values and product brochures. Look for them under the "WWS for Professionals" tab at westernwindowssystems.com.

Installation

We recommend installation be performed by an experienced professional in accordance with the tested and accepted installation techniques of the American Architectural Manufacturers Association (AAMA) and Western Window Systems' written installation instructions (supplied with all products). Following these instructions is required for correct installation and to maintain product warranty.

Warranties You Can Trust

We offer a limited lifetime warranty that our insulating glass will be free of permanent material obstruction of vision due to a premature failure of the air seal. A 10-year limited warranty on workmanship and materials gives you reassurance and confidence in both the reliability of our products as well as your investment. For full warranty details, visit westernwindowssystems.com/support/warranty-information.

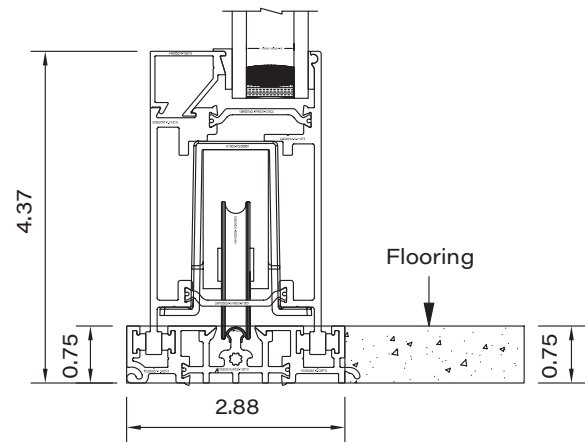




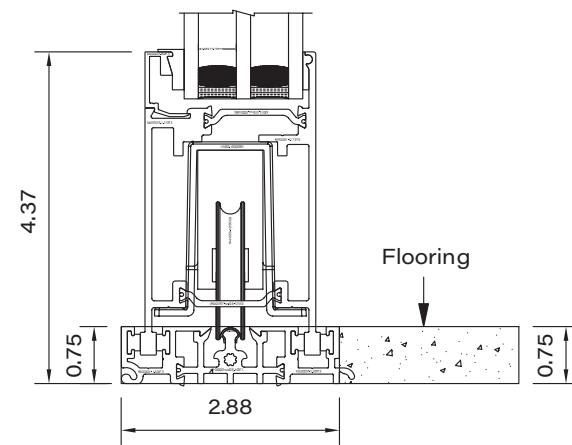
Technical Specifications

Design Better

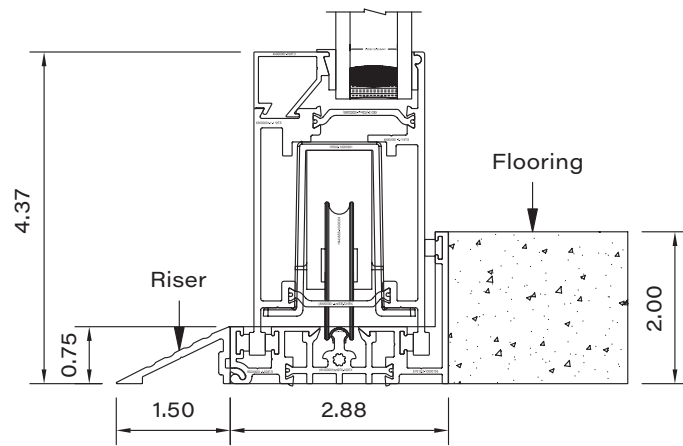
Series 7600 Multi-Slide Door



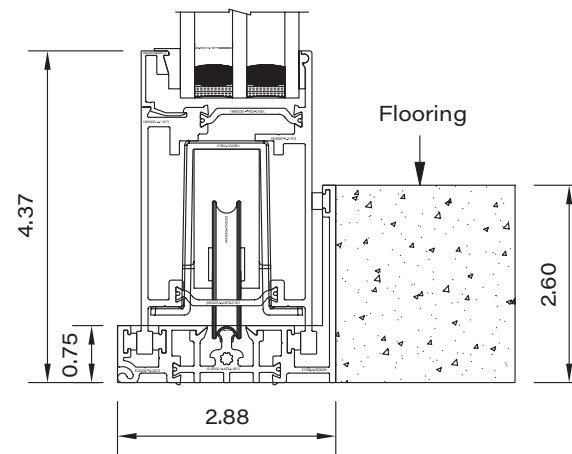
flush threshold with tandem, Quad-Zilla, and dual-pane glass



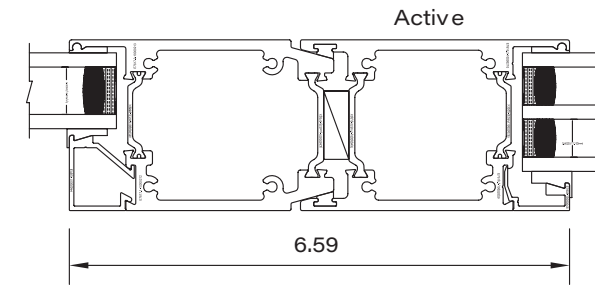
flush threshold with tandem, Quad-Zilla, and triple-pane glass



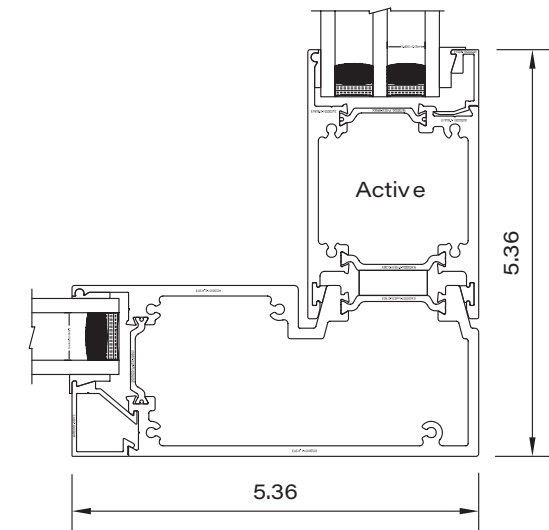
2" threshold with tandem and Quad-Zilla



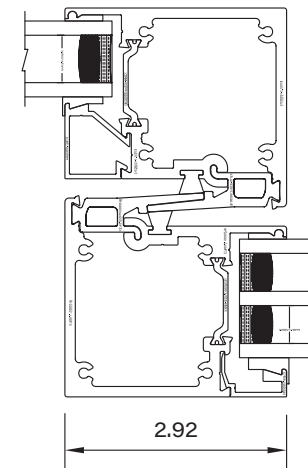
high-performance 2.6" threshold with tandem and Quad-Zilla



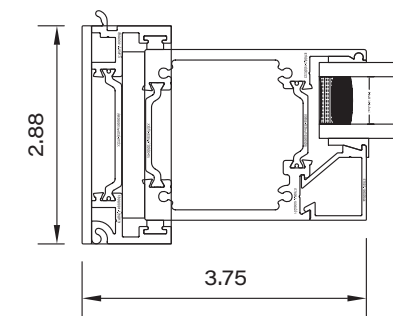
bi-parting condition



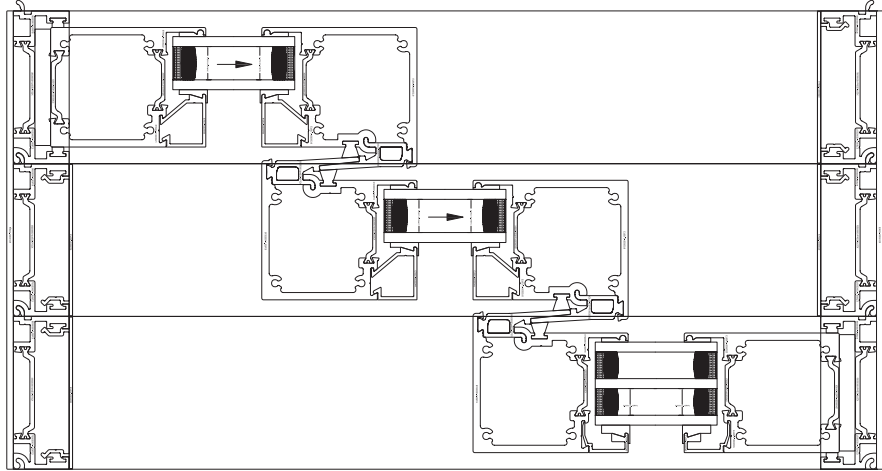
90-degree condition



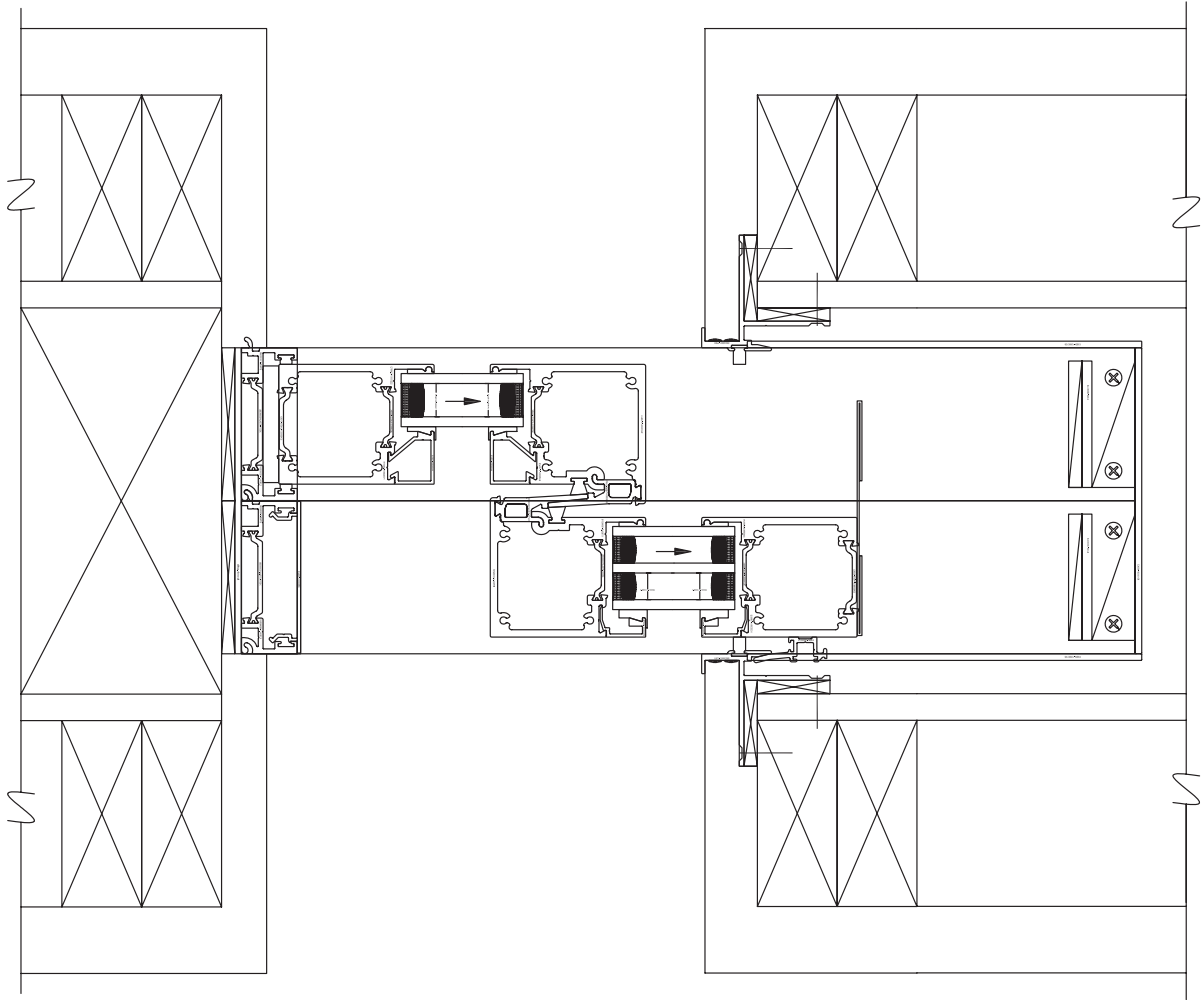
interlocking condition



fixed position

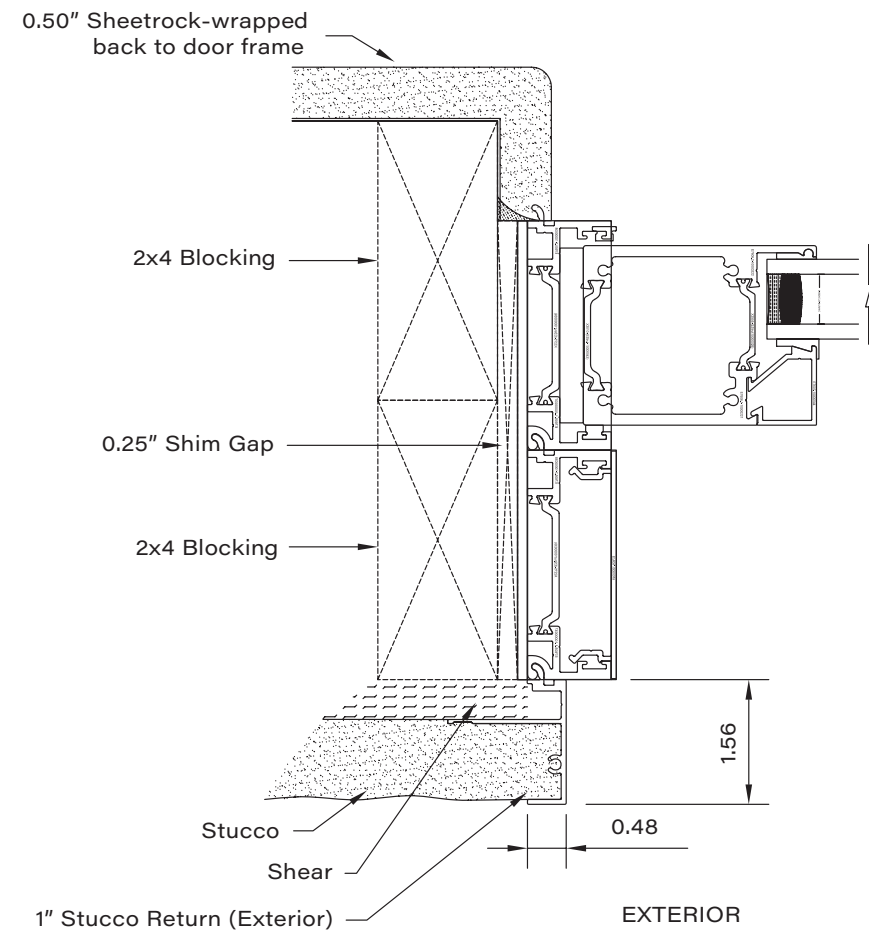


horizontal section of
3-panel stacking door or 2XO

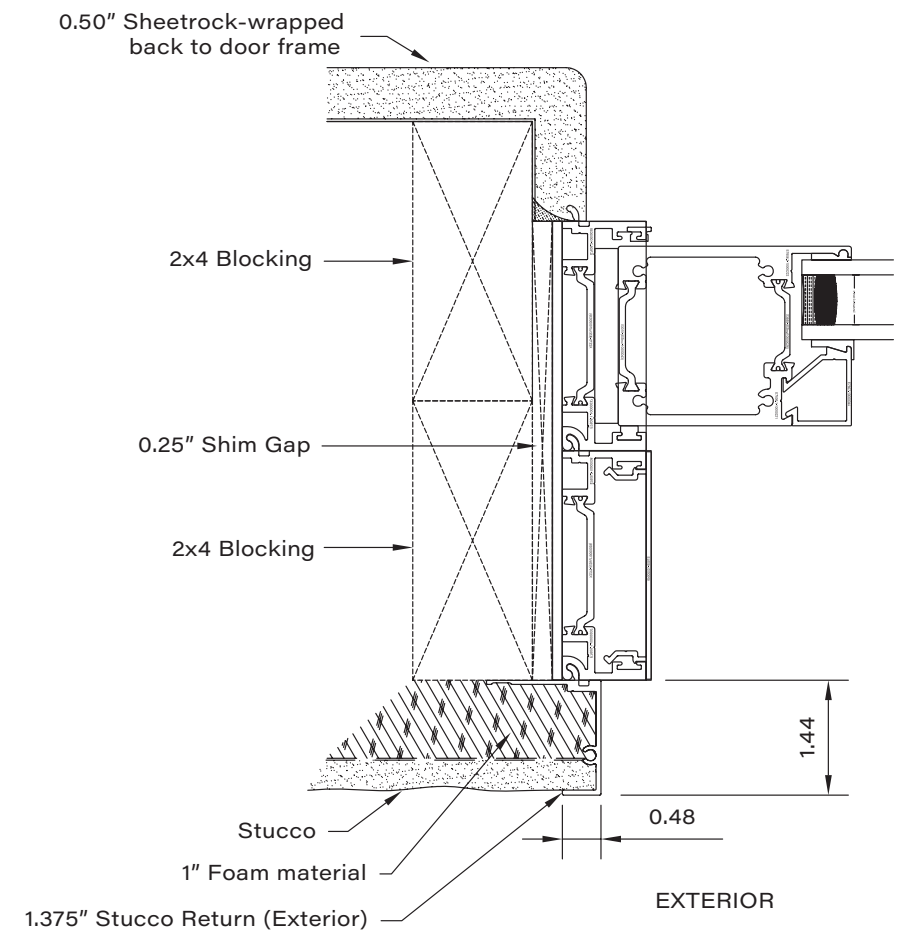


horizontal section of
2-panel pocket door or 2XP

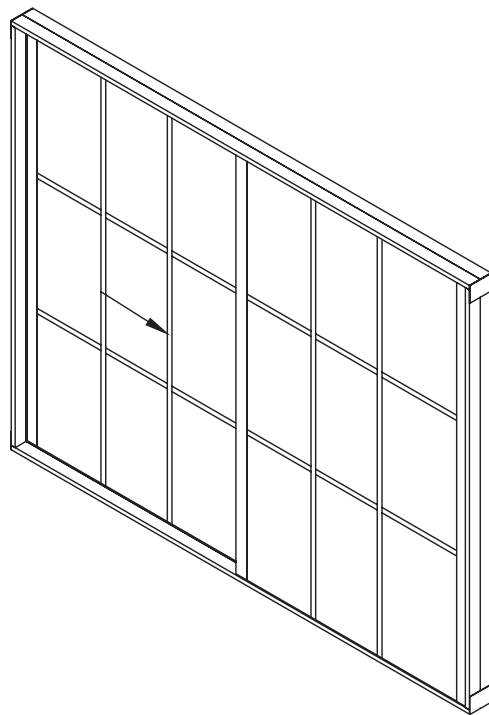
Series 7600 Multi-Slide Door



1" stucco return wall construction profile @ stud multi-slide door jamb application

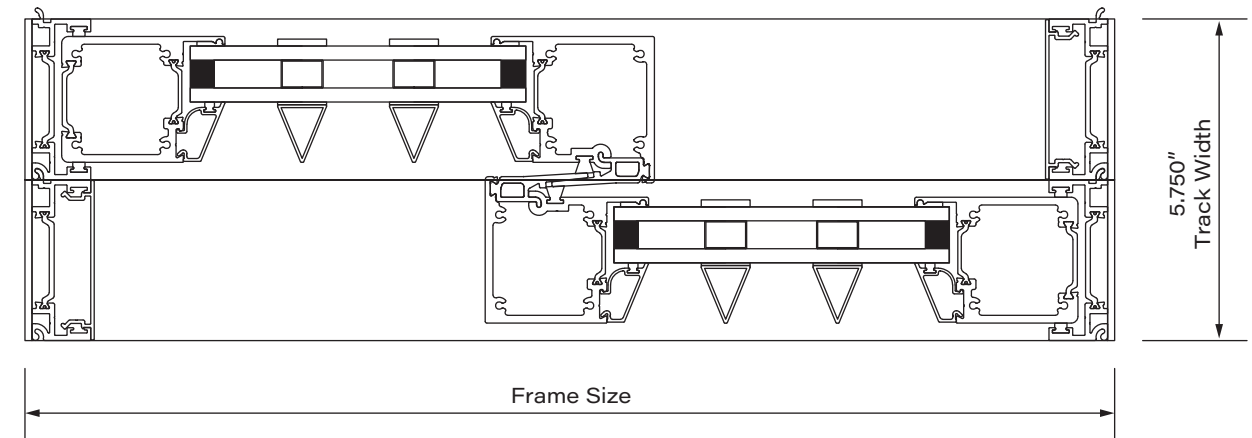
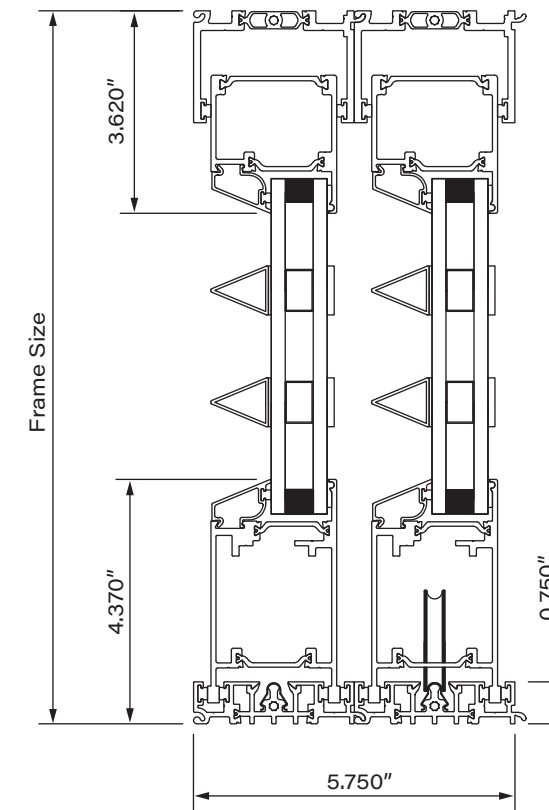


1.375" stucco return wall construction profile @ stud multi-slide door jamb application

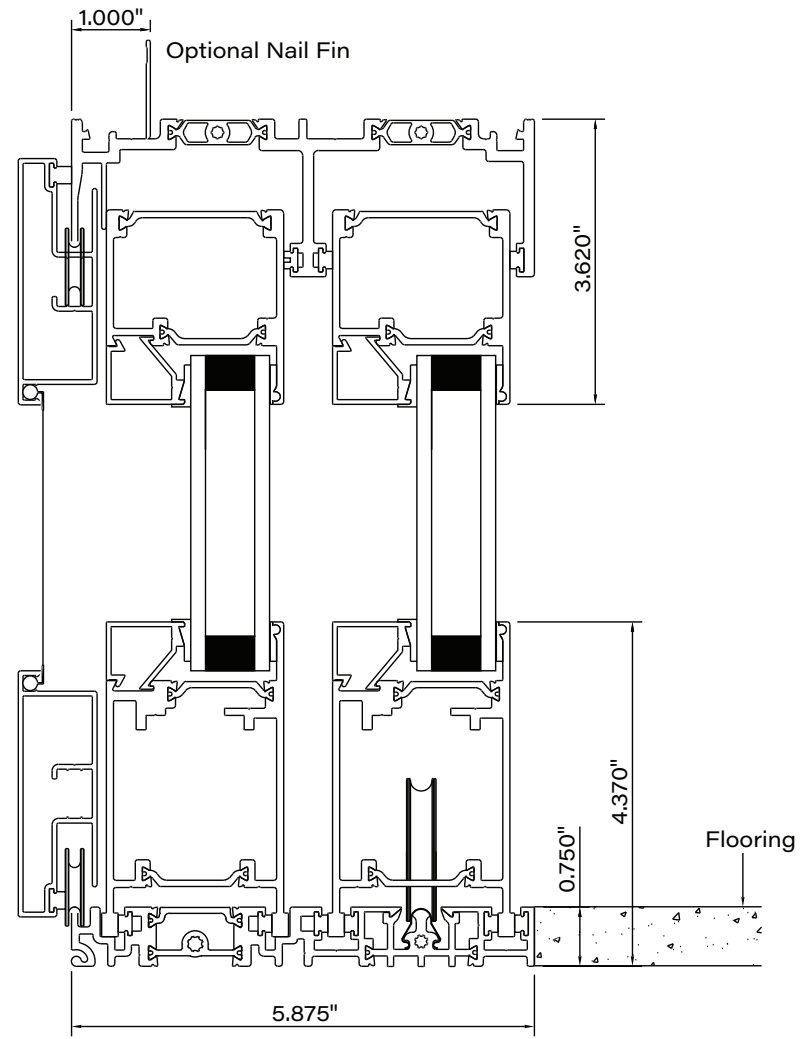


Simulated Steel Features

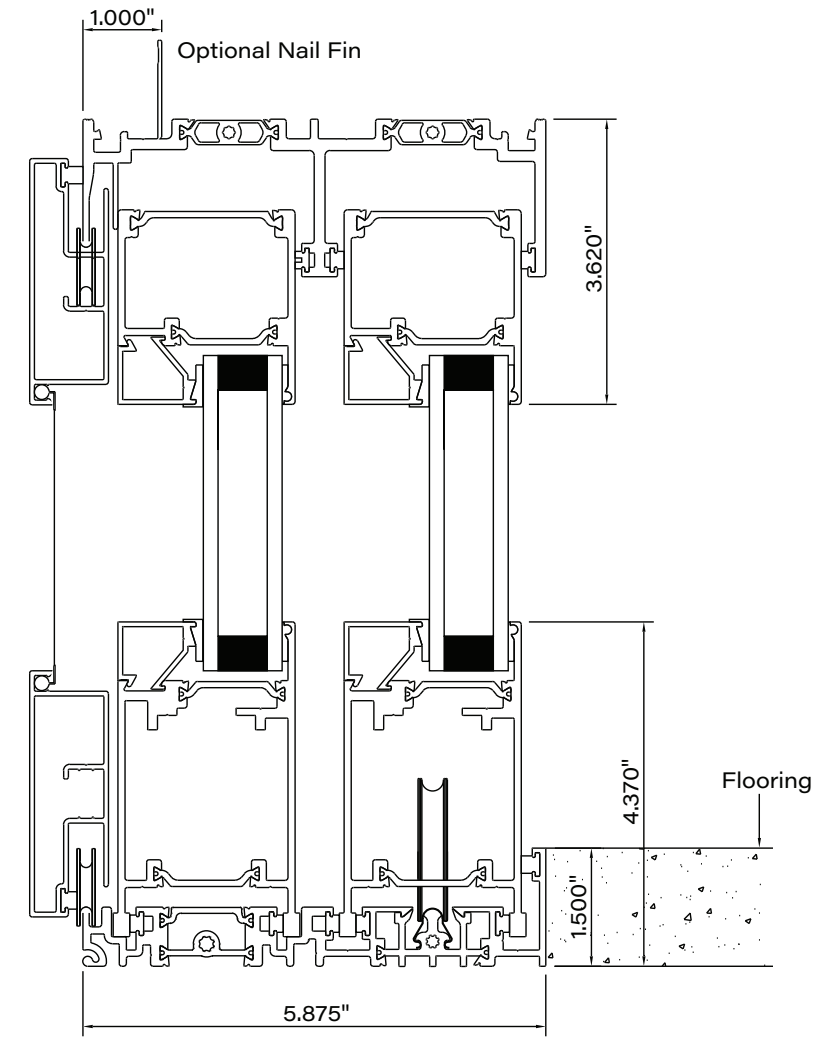
- .30 U-value for standard low-E, argon-filled dual-pane glass
- All-climate coated or high-performance glass from Cardinal IG
- Glass can be customized and includes options such as laminated glass, solar- and glare-control glass, enhanced winter performance glass, and low-maintenance glass
- Pre-applied Cardinal Preserve film protects glass during installation
- Performance-rated at DP50
- Available in sizes up to 15 feet in most markets
- 2.9" interlock stile
- Pocketing, non-pocketing, bi-parting, and 90-degree configurations
- Certified by AAMA
- Energy Star-qualified options
- Sealed stainless steel ball bearing rollers
- Quad-Zilla roller for extreme sizes and heavy glass types
- Water barrier, flush, and thinline sill options
- Premium or flush-mounted handle
- Interlocking track design
- Concealed locking system
- Aluminum frame panel screen
- In-stock, designer, split, and custom finishes, see page 130
- System automation (third party)
- Title 24 compliant (California)



Series 7650 Sliding Glass Door

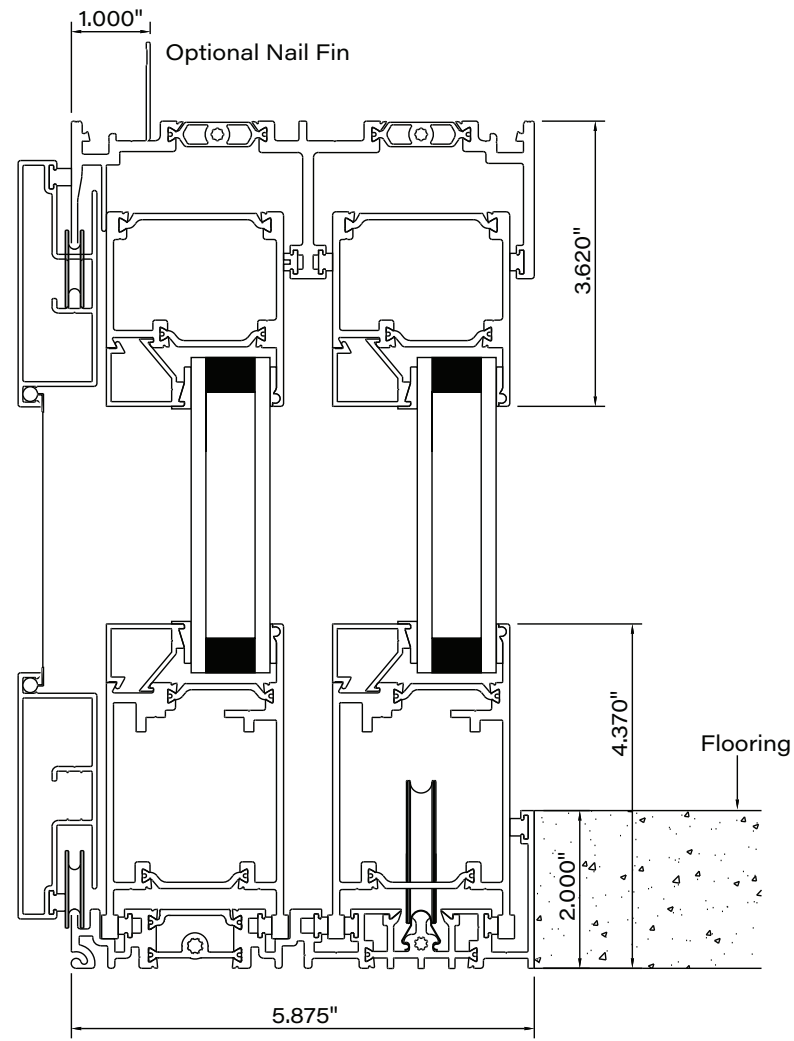


7650
flush sill

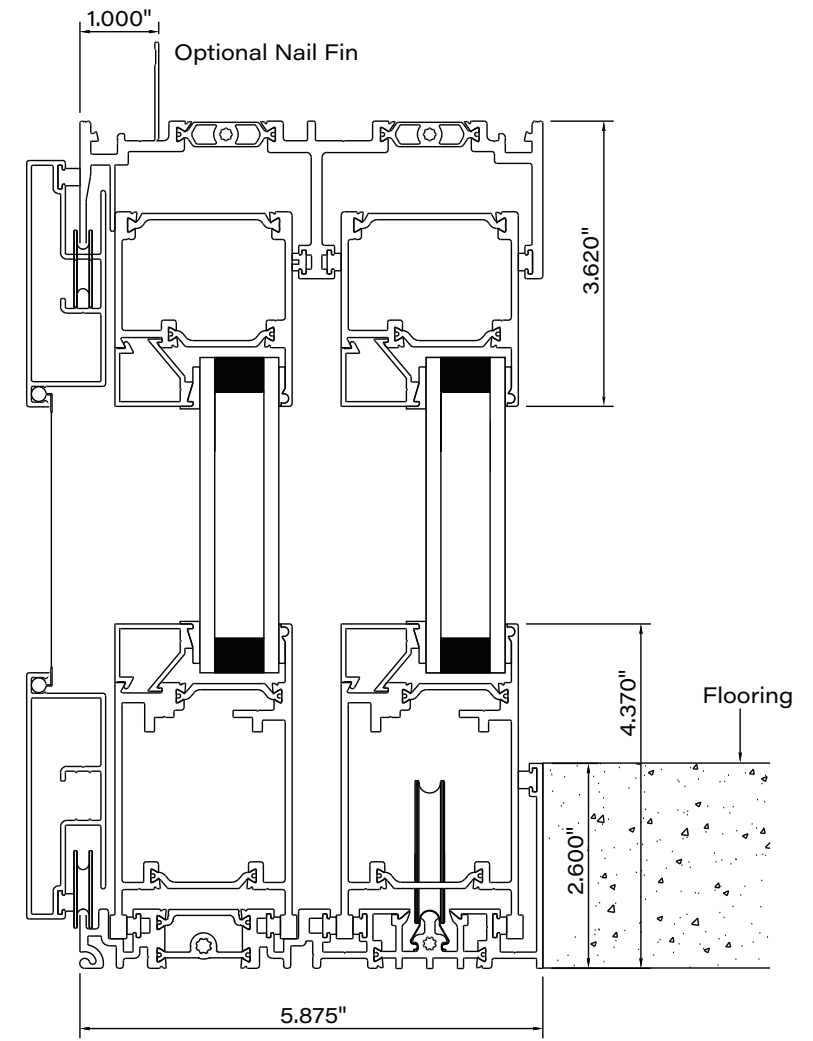


7650
1.5" water barrier sill

Series 7650 Sliding Glass Door

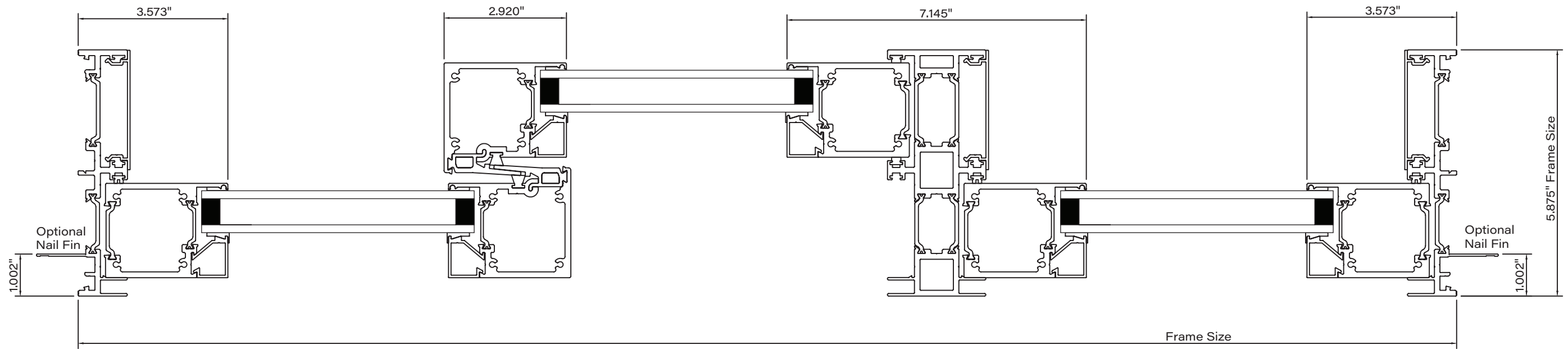


7650
2" water barrier sill

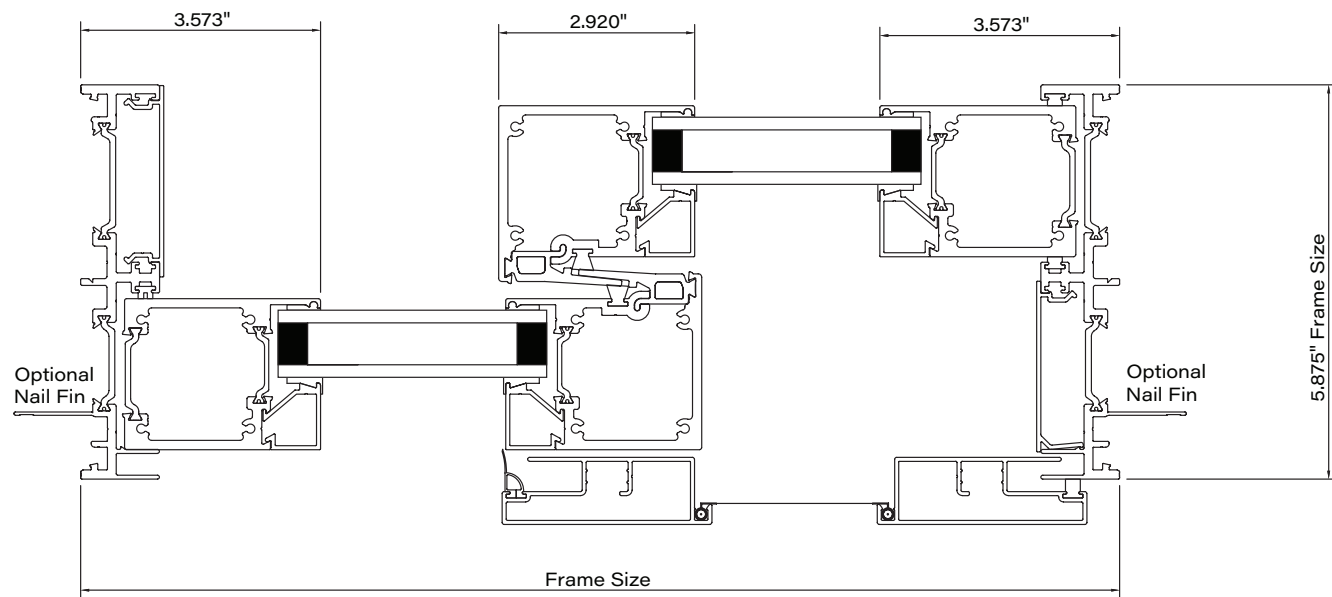


7650
2.6" water barrier sill

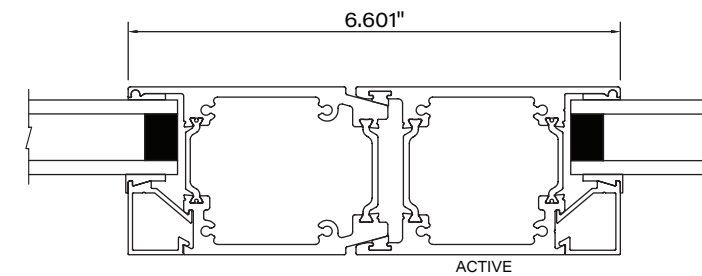
Series 7650 Sliding Glass Door



7650
OXO condition

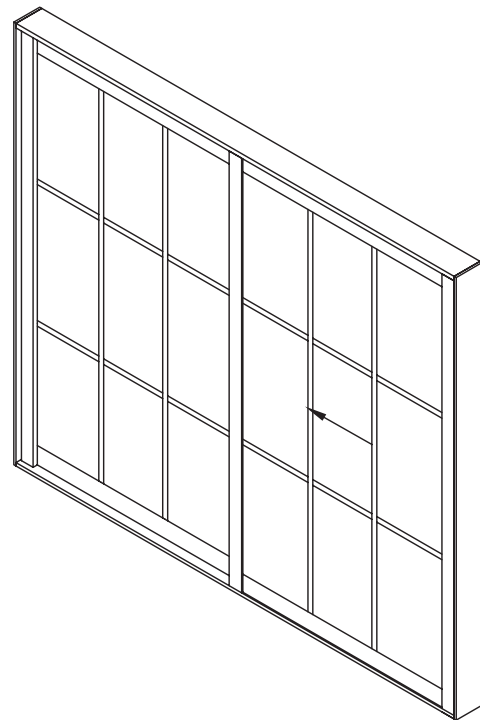


7650
XO condition



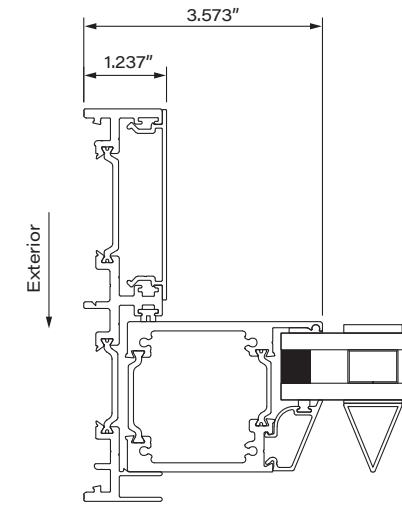
7650
OXXO condition

Series 7650s Sliding Glass Door

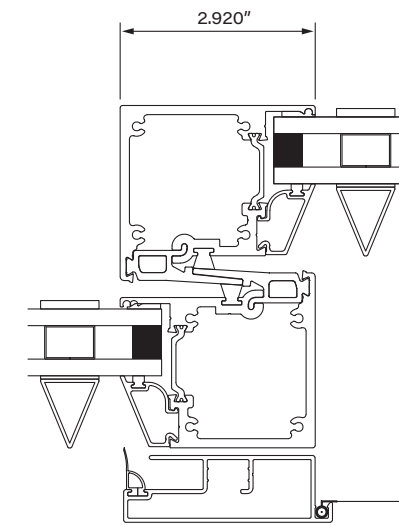


Simulated Steel Features

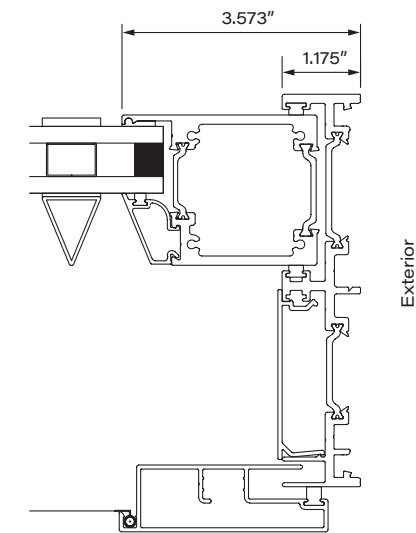
- .30 U-value for standard low-E, argon-filled dual-pane glass
- All-climate coated or high-performance glass from Cardinal IG
- Glass can be customized and includes options such as laminated glass, solar- and glare-control glass, enhanced winter performance glass, and low-maintenance glass
- Pre-applied Cardinal Preserve film protects glass during installation
- Performance-rated at DP50
- Available in sizes up to 15 feet in most markets
- 2.9" interlock stile
- Certified by AAMA
- Quad-Zilla roller for extreme sizes and heavy glass types
- Water barrier and flush sill options
- Premium or flush-mounted handle
- Concealed locking system
- Aluminum frame panel screen
- In-stock, designer, split, and custom finishes, see page 130
- System automation (third party)
- Title 24 compliant (California)



Fixed Jamb

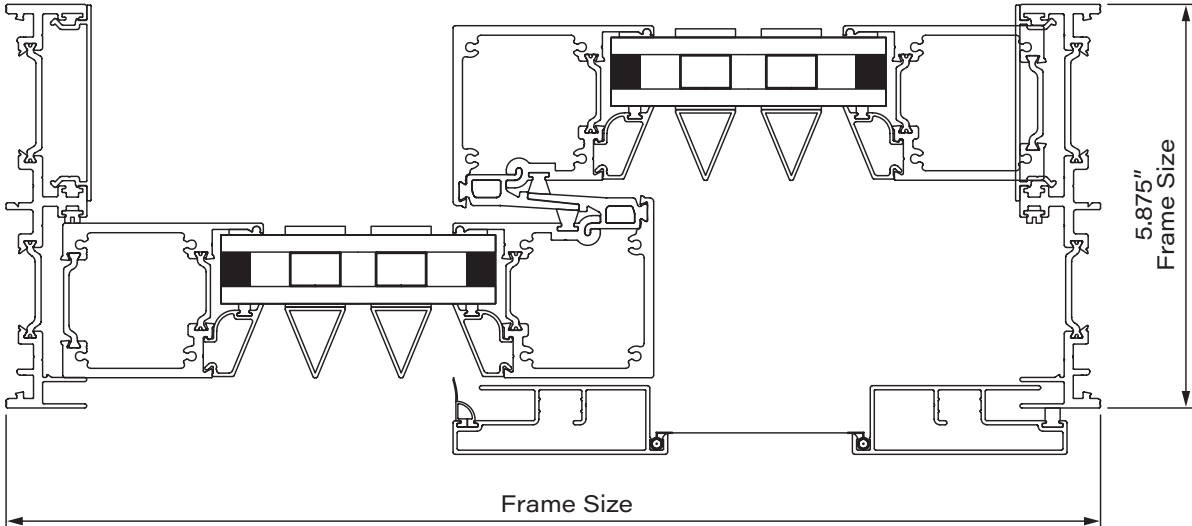
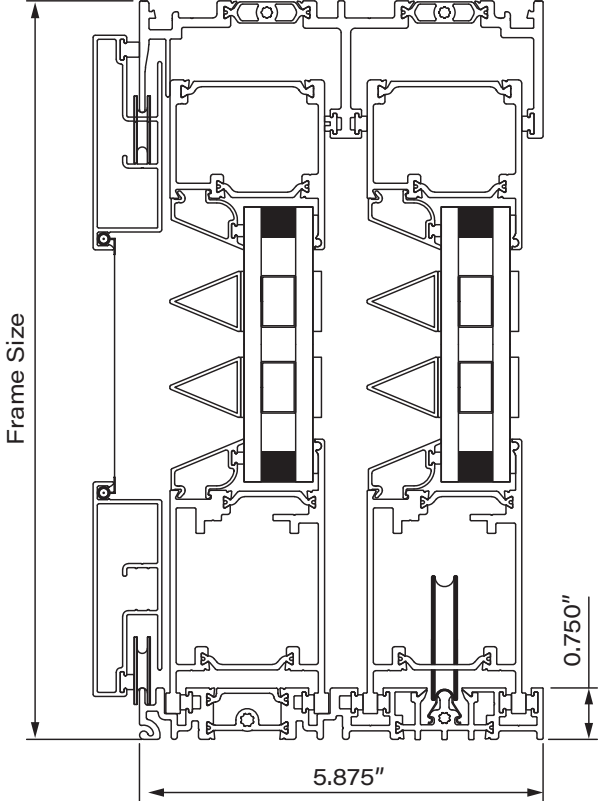


Interlock (Typical)

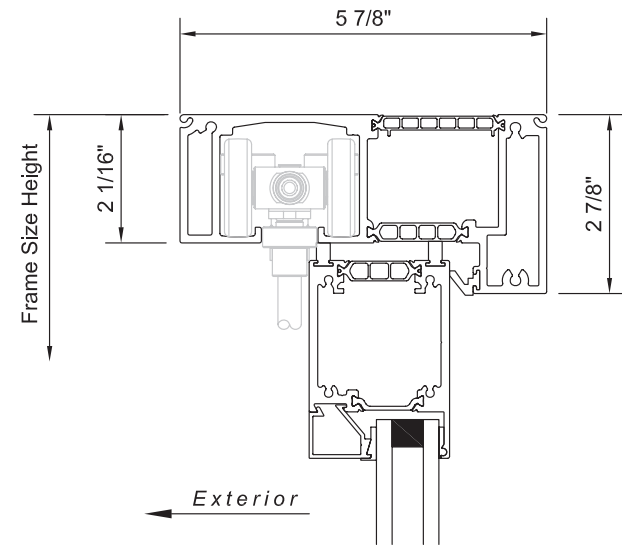


Lock Jamb @ Active

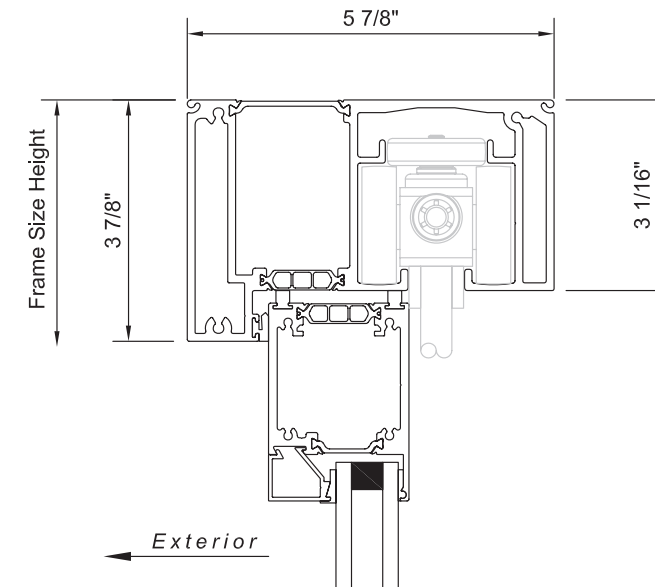
Series 7650s Sliding Glass Door



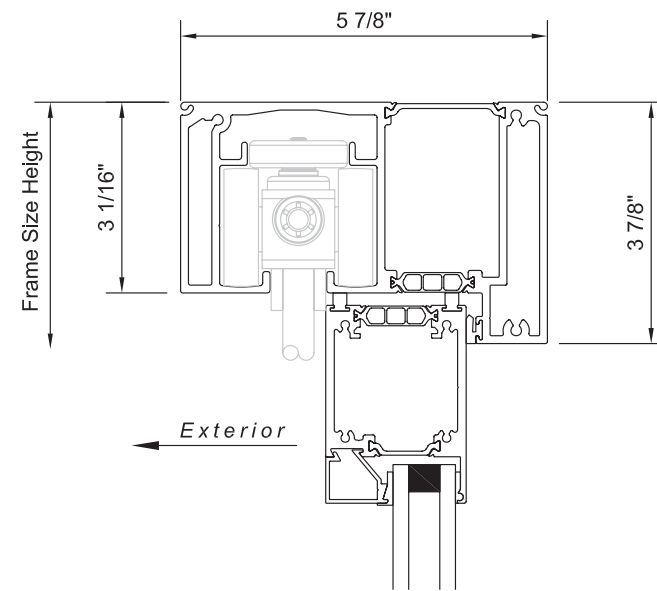
Series 7950 Bi-Fold Door



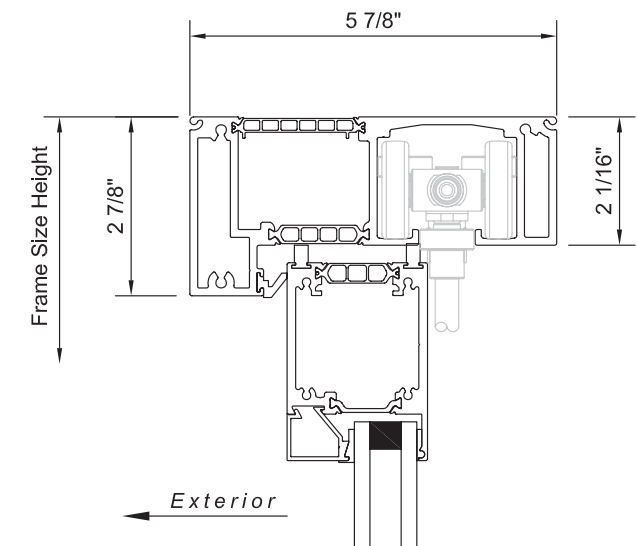
head load bi-fold
fold-out head



heavy-duty head load bi-fold
fold-in head

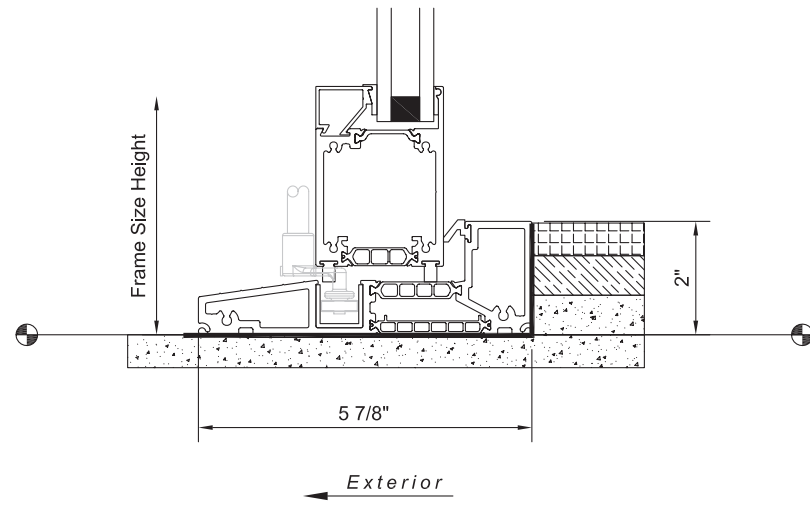


heavy-duty head load bi-fold
fold-out head

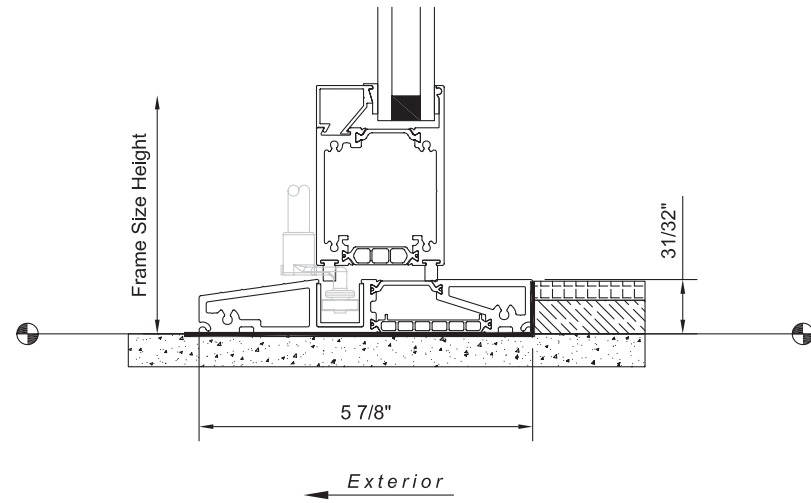


head load bi-fold
fold-in head

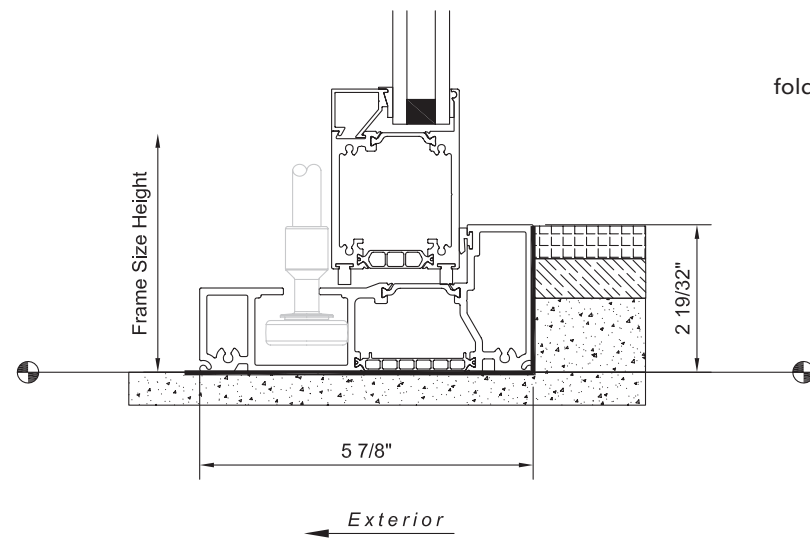
Series 7950 Bi-Fold Door



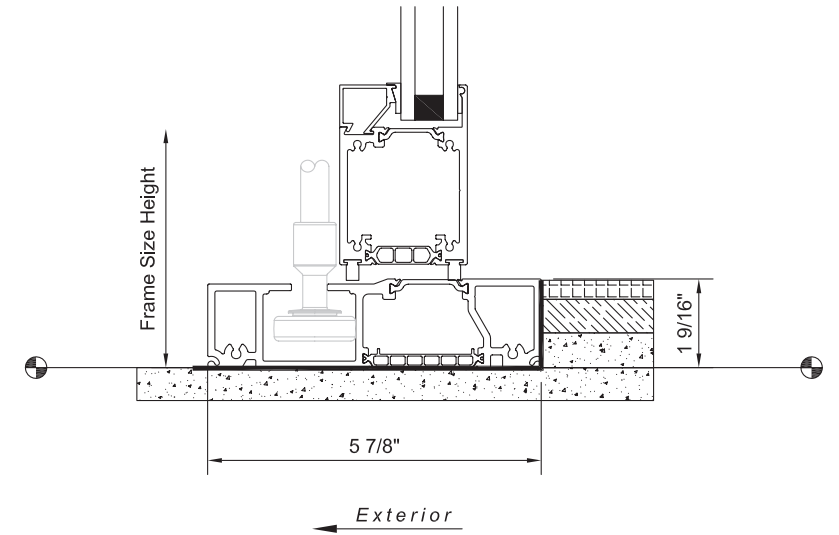
head load bi-fold
fold-out with high leg threshold



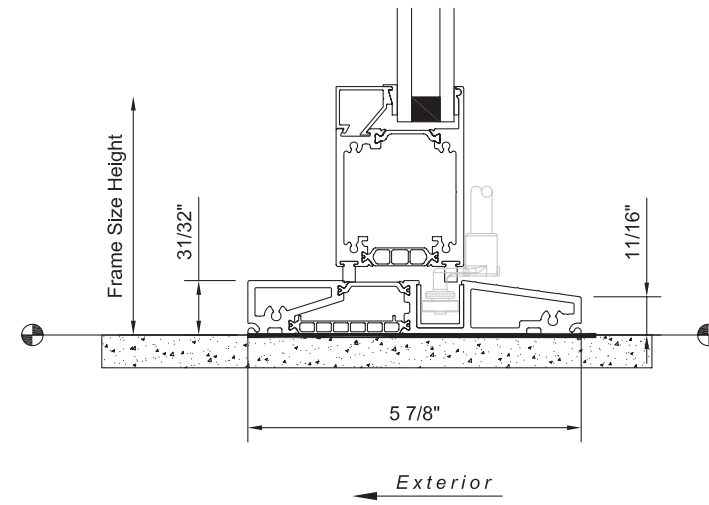
head load bi-fold
fold-out with flush threshold



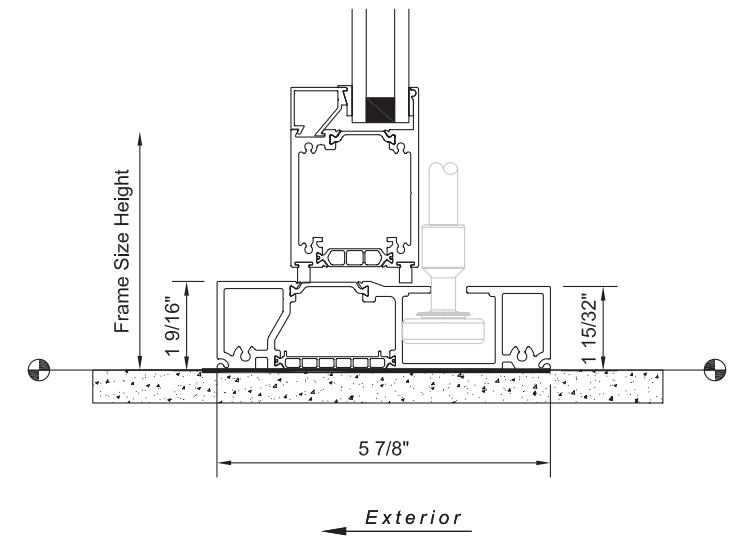
heavy-duty head load bi-fold
fold-out with high leg threshold



heavy-duty head load bi-fold
fold-out with flush threshold

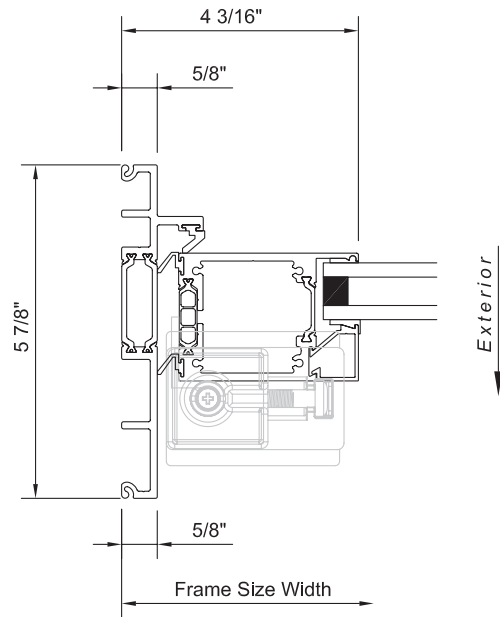


head load bi-fold
fold-in with flush threshold

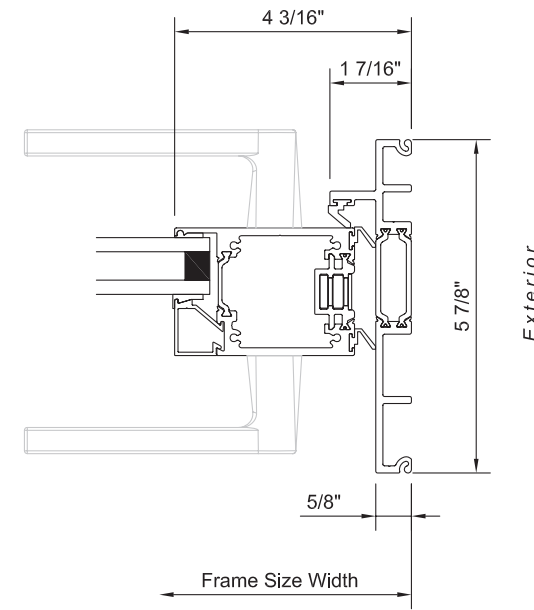


heavy-duty head load bi-fold
fold-in with threshold

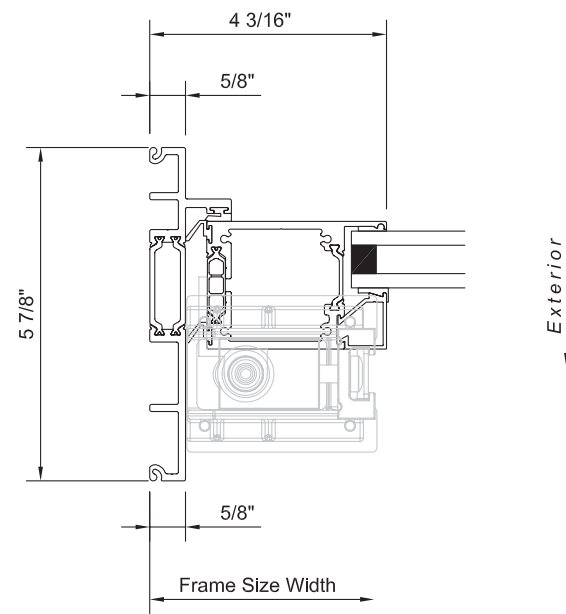
Series 7950 Bi-Fold Door



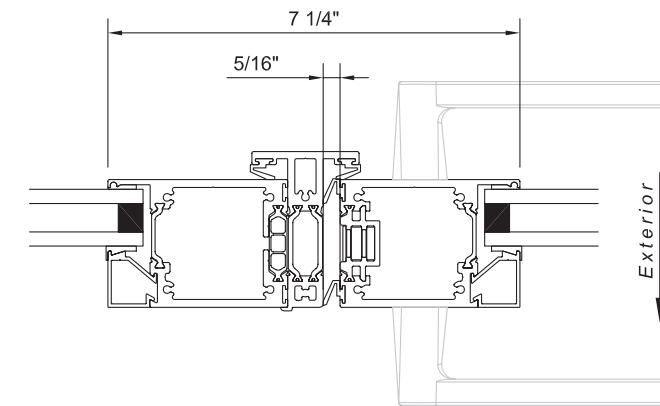
head load bi-fold
fold-out jamb at pivot hinge



head load bi-fold
fold-out jamb

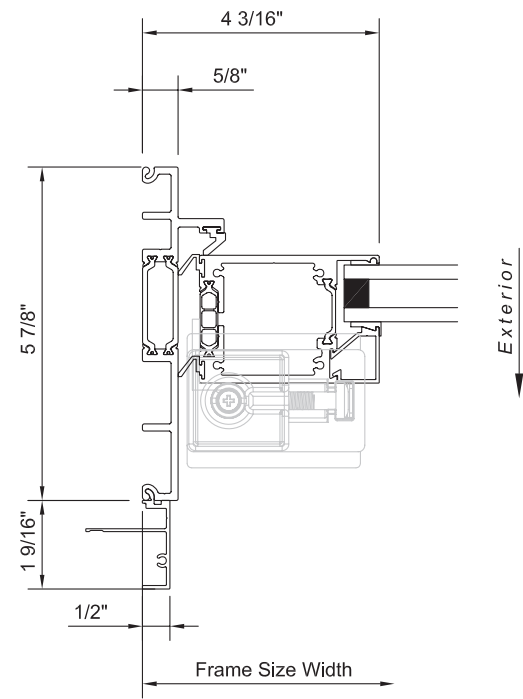


heavy duty head load bi-fold
fold-out jamb at pivot hinge

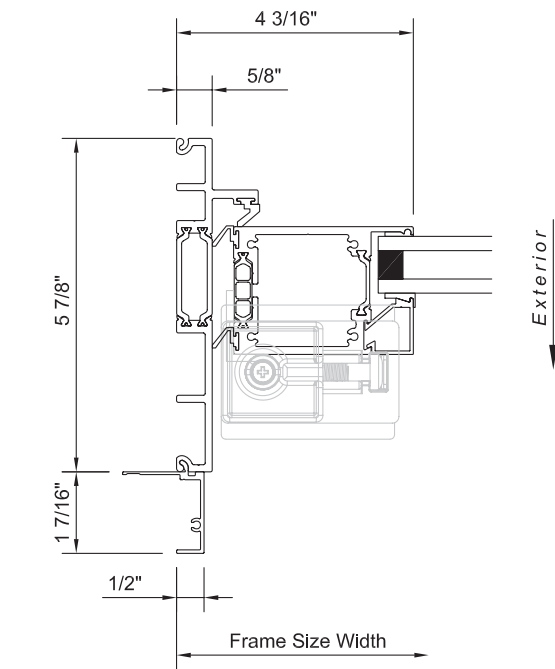


head load bi-fold
fold-out bi-parting condition

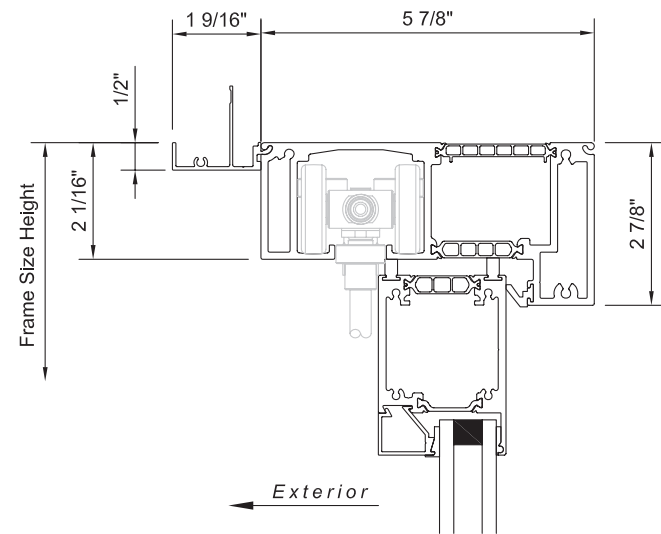
Series 7950 Bi-Fold Door



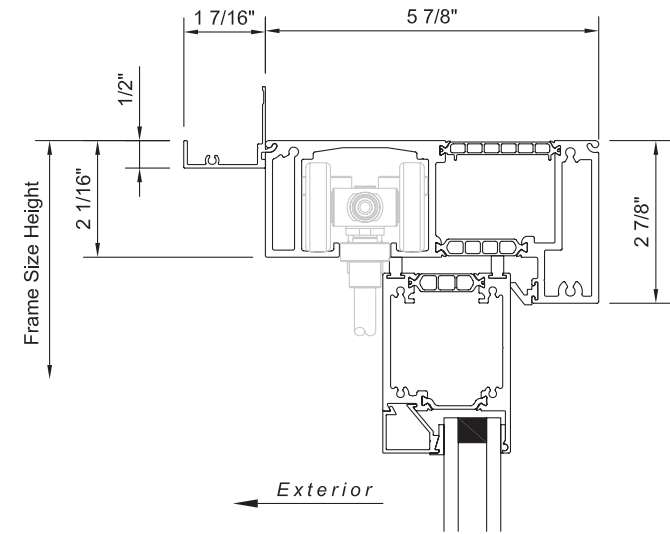
head load bi-fold
fold-out jamb at pivot hinge at 1" stucco return



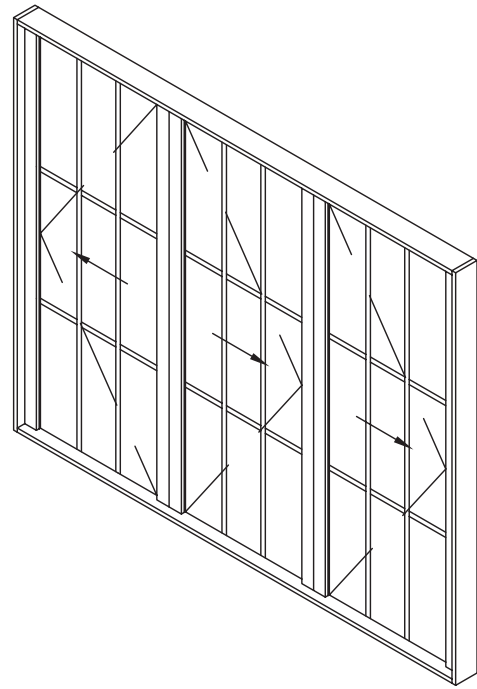
head load bi-fold
fold-out jamb at pivot hinge at 1 3/8" stucco return



head load bi-fold
fold-out head at 1" stucco return

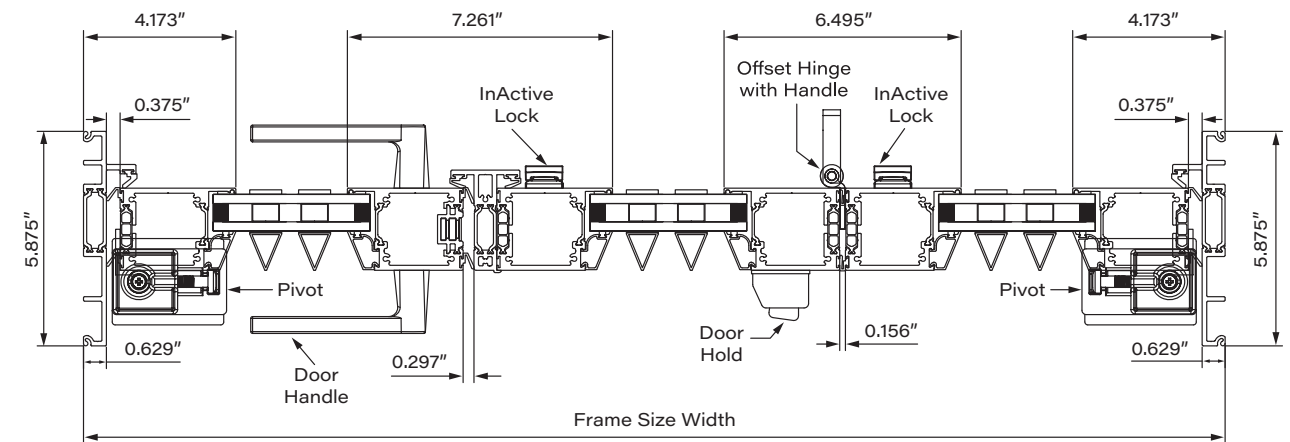
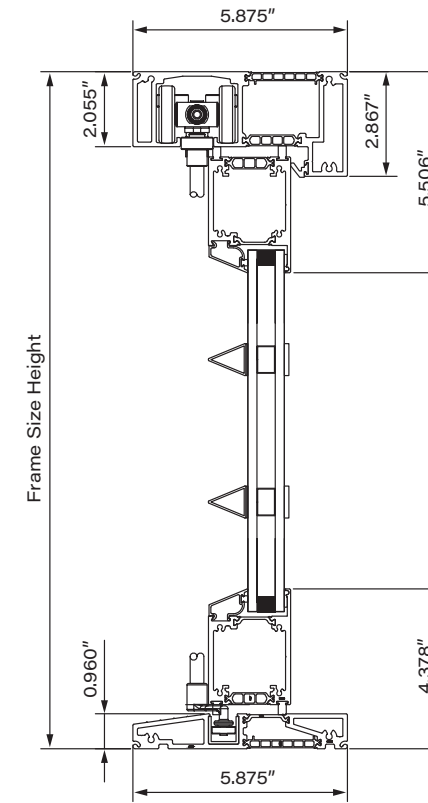
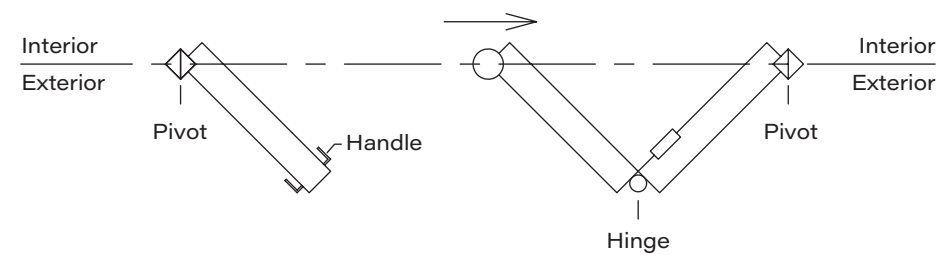


head load bi-fold
fold-out head at 1 3/8" stucco return

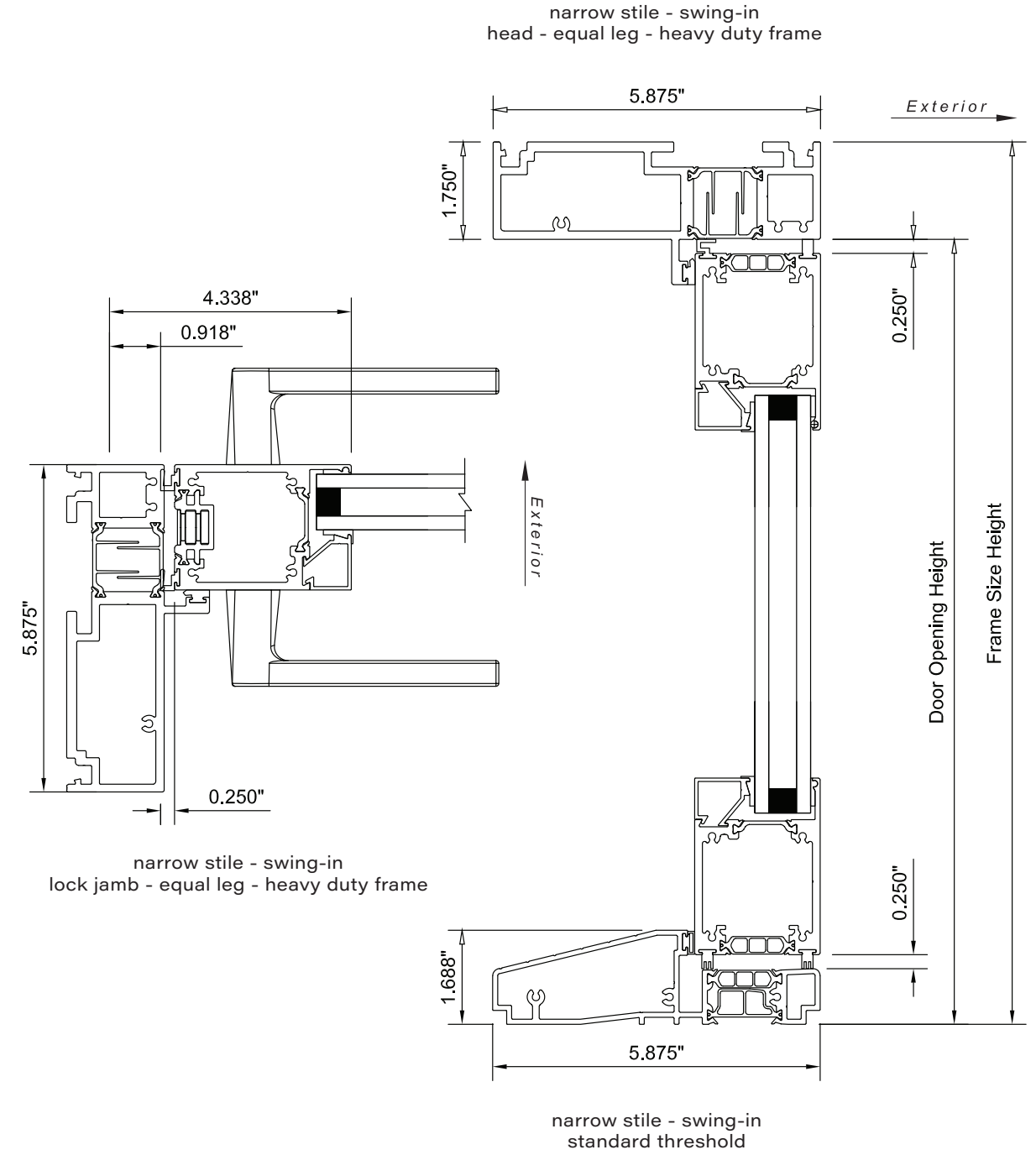
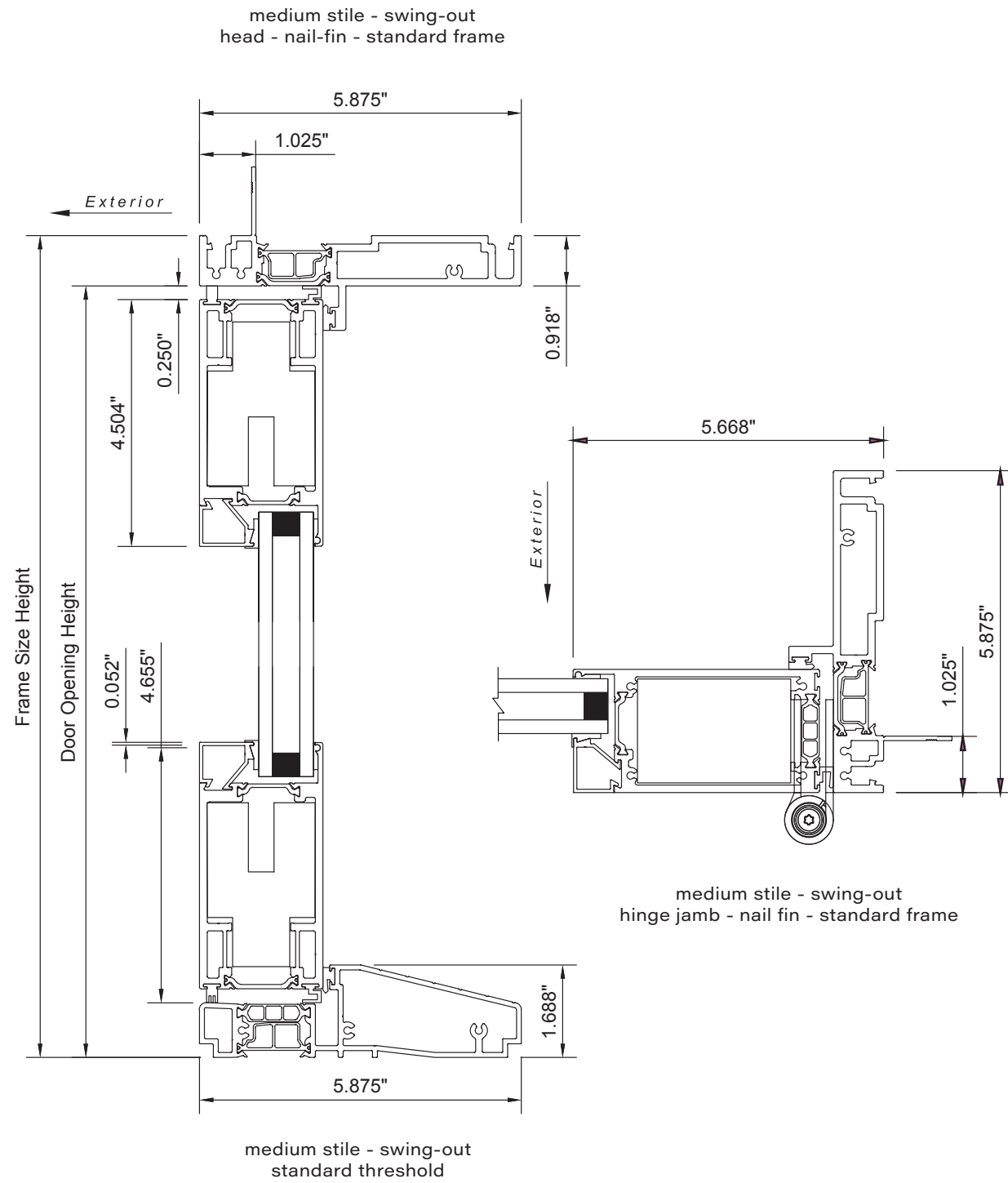


Simulated Steel Features

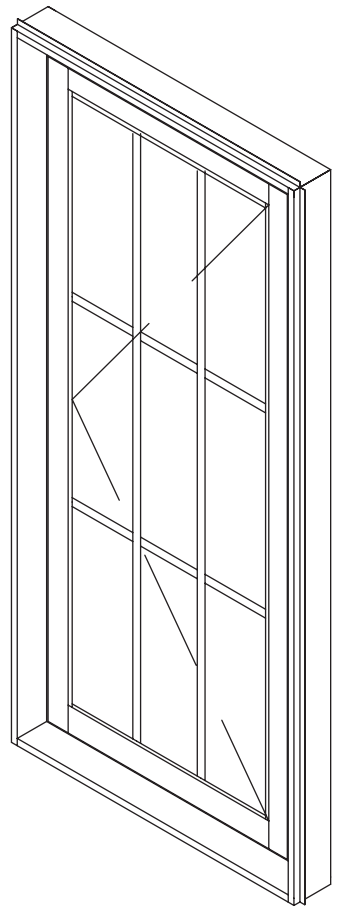
- .30 U-value for standard low-E, argon-filled dual-pane glass
- All-climate coated or high-performance glass from Cardinal IG
- Glass can be customized and includes options such as laminated glass, solar- and glare-control glass, enhanced winter performance glass, and low-maintenance glass
- Pre-applied Cardinal Preserve film protects glass during installation
- Performance-rated at DP50
- Certified by AAMA
- A 3.17" stile
- Head load carrier hinges available in standard and heavy-duty capacities
- Water barrier, flush sill, and U-track options
- Concealed locking system
- In-stock, designer, split, and custom finishes, see page 130
- Title 24 compliant (California)



Series 7900 Hinged Door

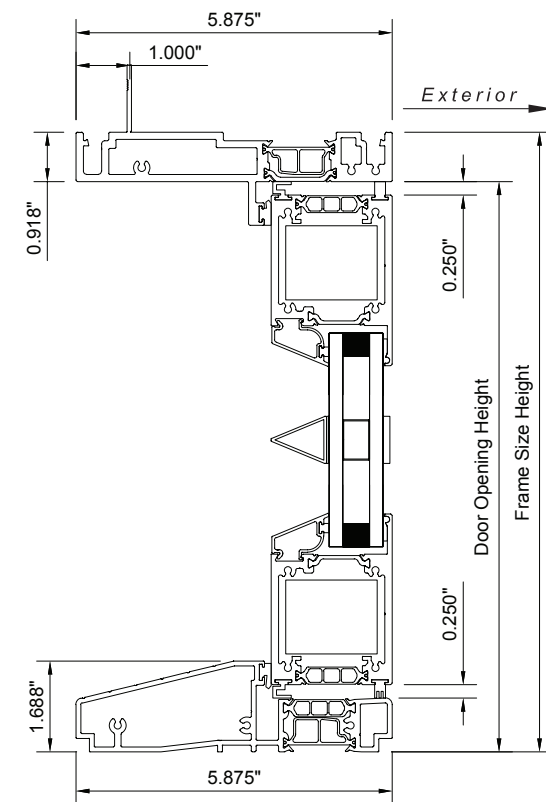
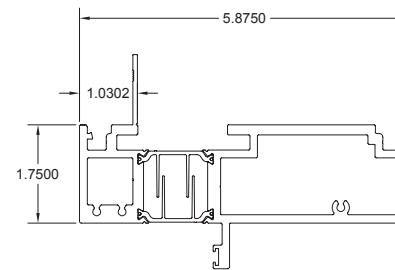
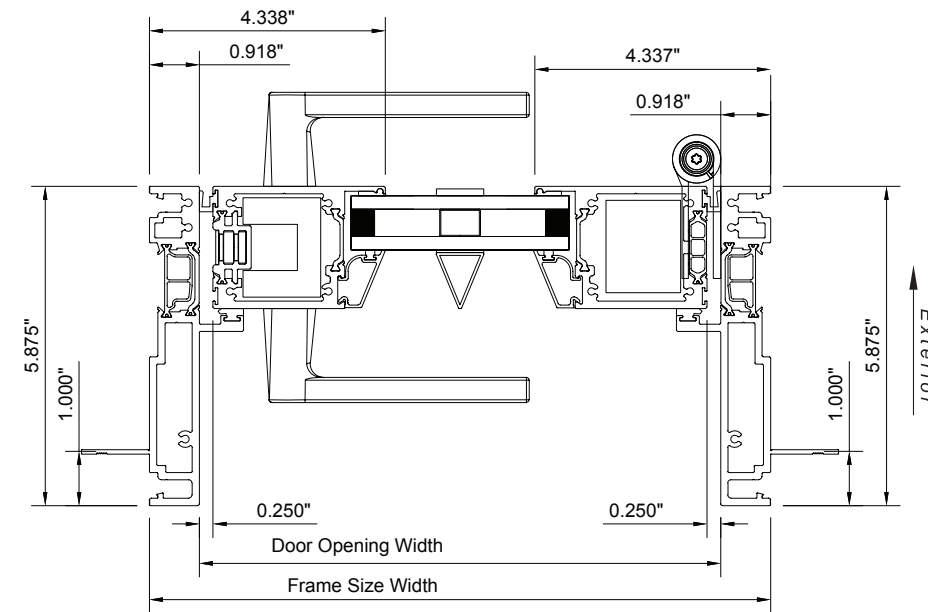


Series 7900s Hinged Door

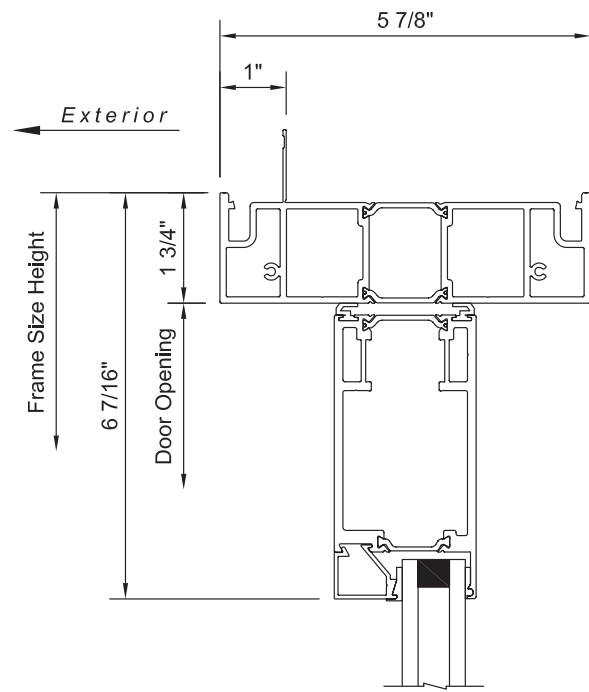


Simulated Steel Features

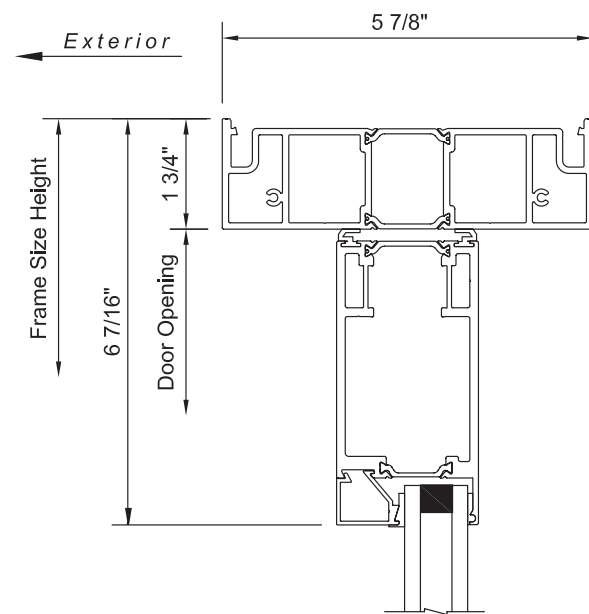
- .30 U-value for standard low-E, argon-filled dual-pane glass
- All-climate coated or high-performance glass from Cardinal IG
- Glass can be customized and includes options such as laminated glass, solar- and glare-control glass, enhanced winter performance glass, and low-maintenance glass
- Pre-applied Cardinal Preserve film protects glass during installation
- Currently available in 4' x 10' panel sizes with standard jambs and up to 5' x 12' panel sizes with heavy-duty jambs
- Performance-rated at DP50 (inswing) and DP50 (outswing)
- Standard and commercial threshold options
- Four locking options
- Heavy-duty hardware
- In-stock, designer, split, and custom finishes, see page 130
- Title 24 compliant (California)



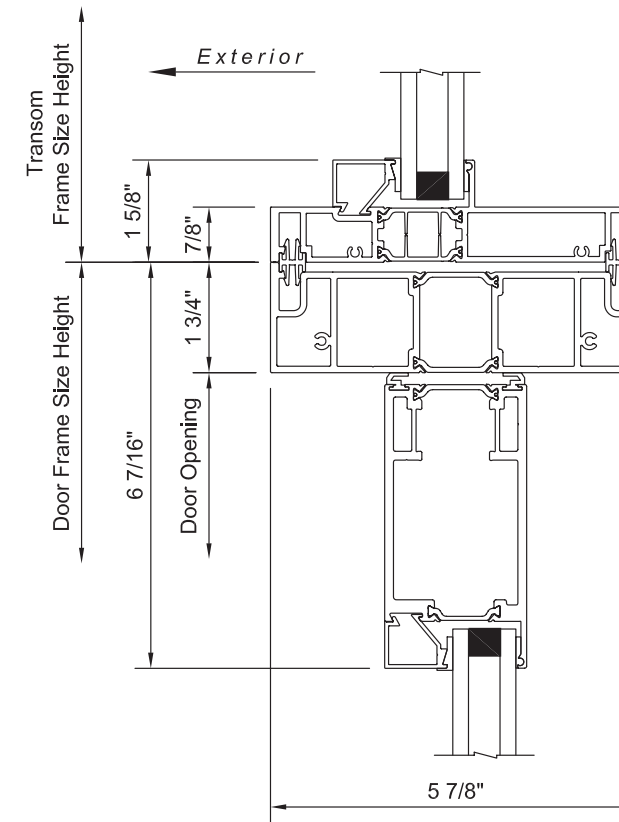
Series 7980 Pivot Door



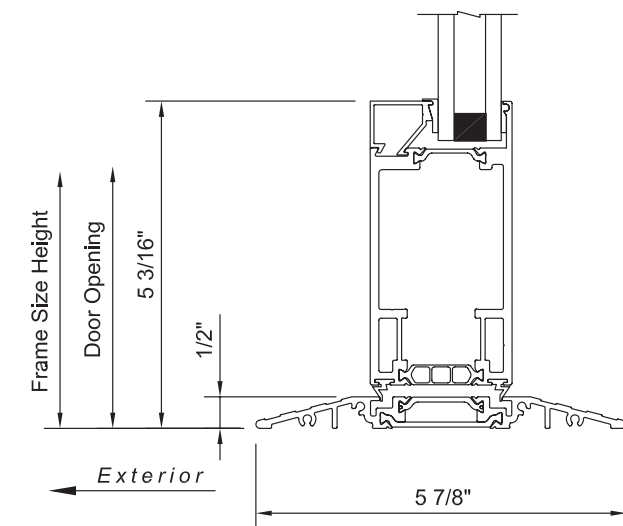
head - nail in frame



head - equal leg block frame

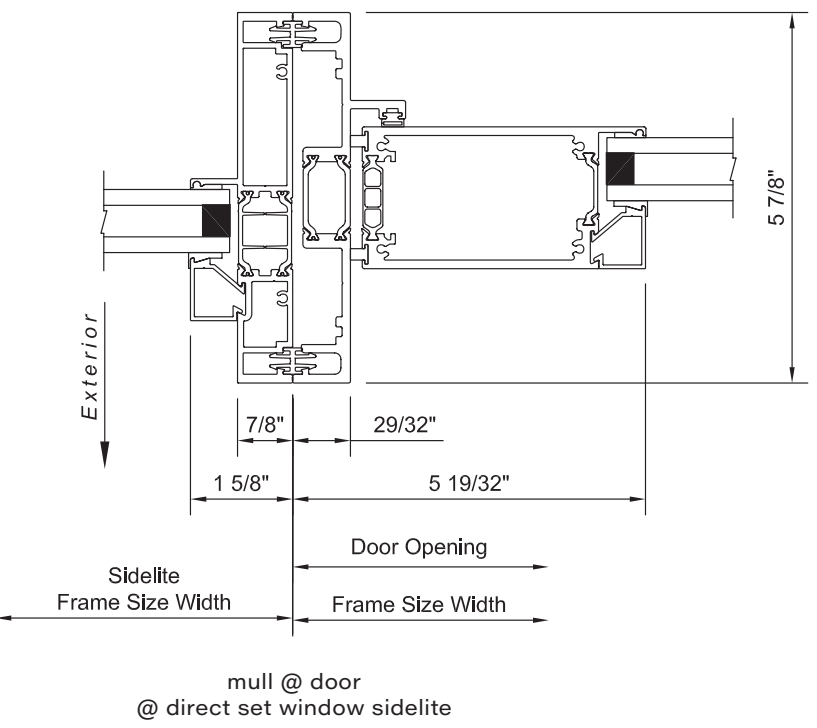
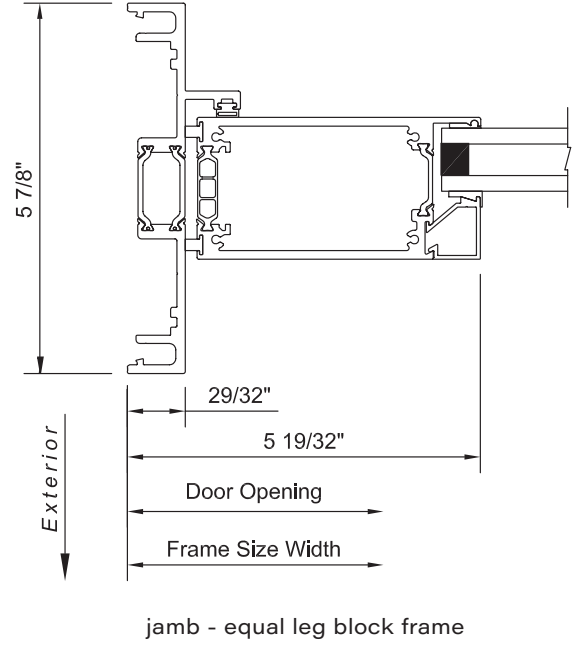
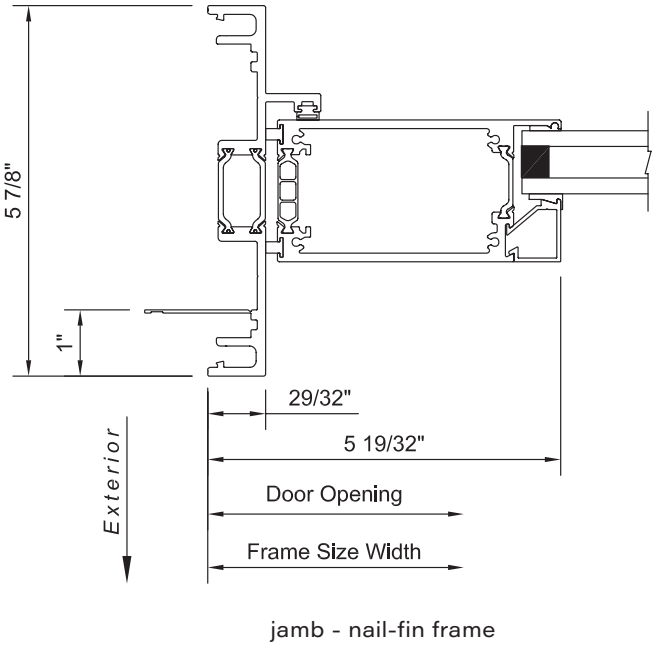


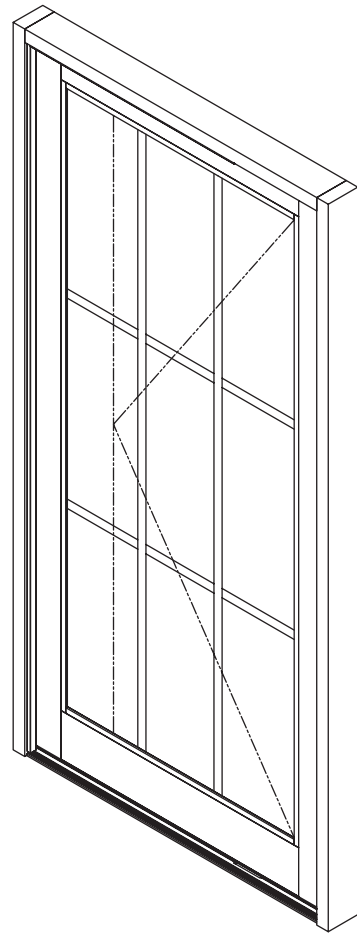
mull @ door
@ direct set window transom



threshold

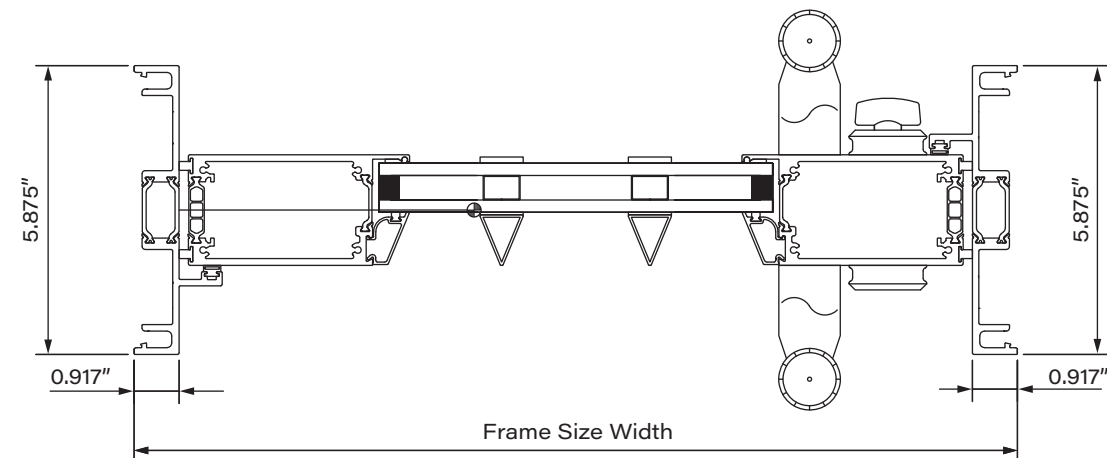
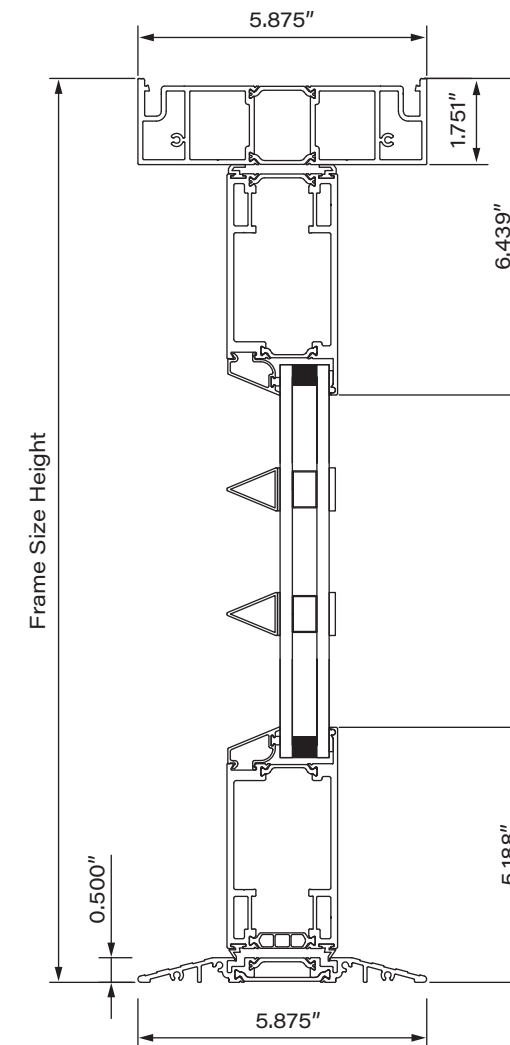
Series 7980 Pivot Door



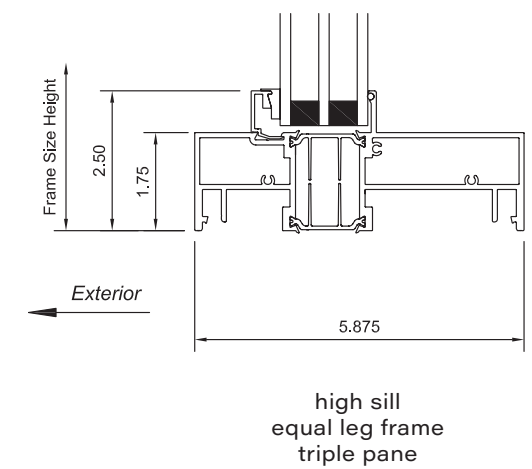
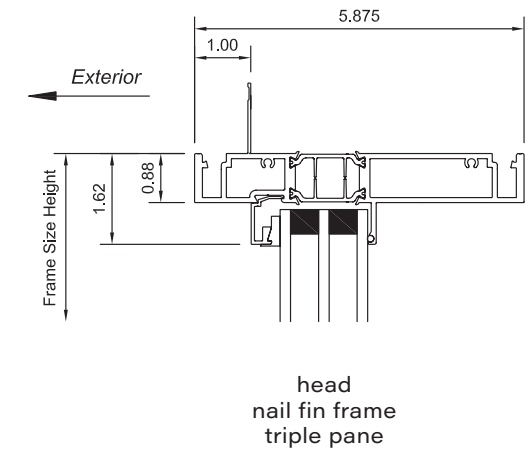
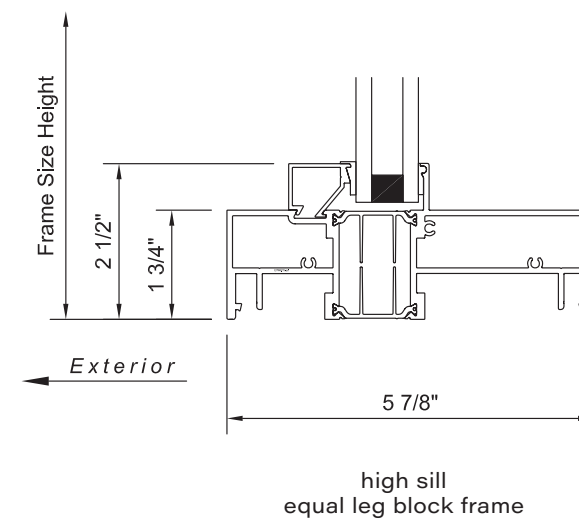
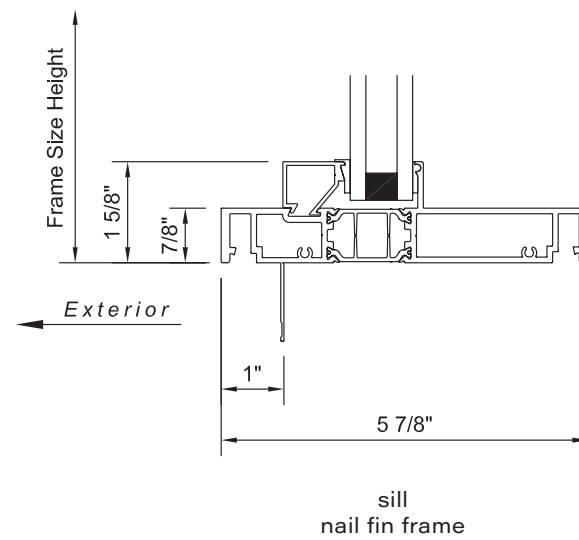
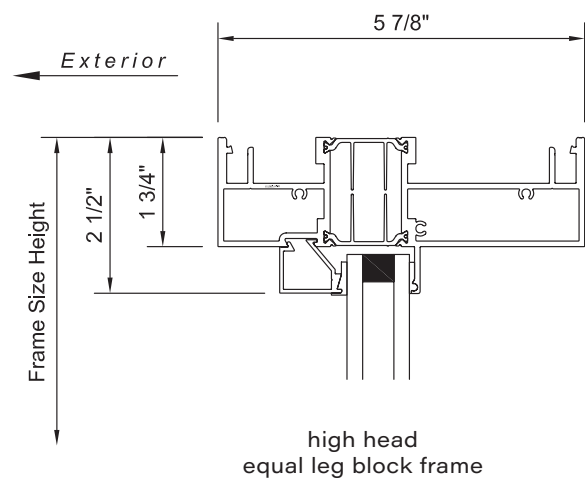
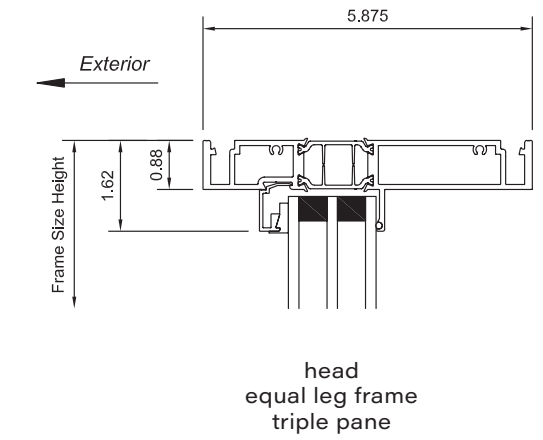
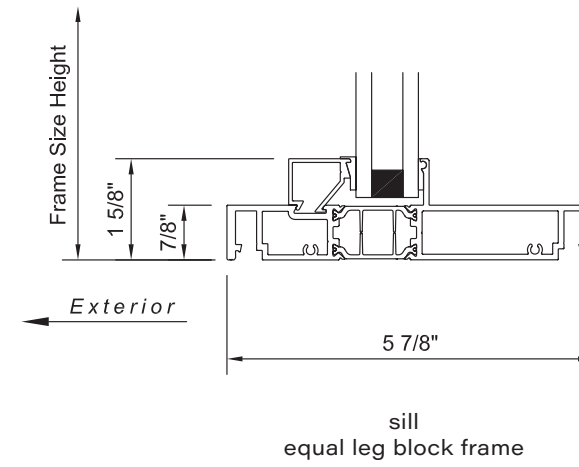
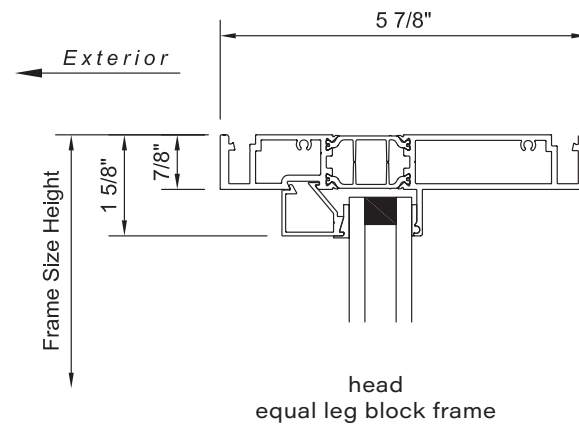
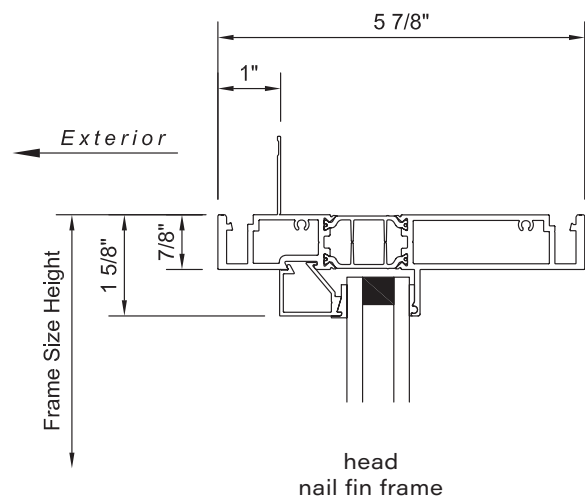


Simulated Steel Features

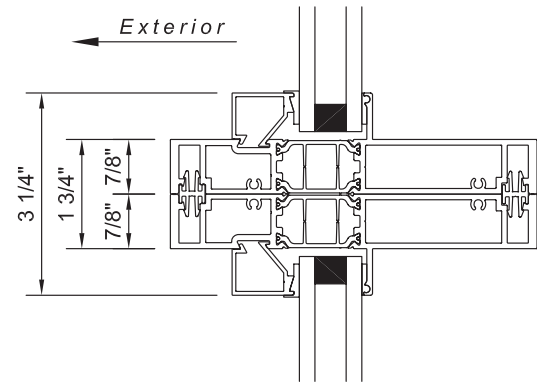
- .30 U-value for standard low-E, argon-filled dual-pane glass
- All-weather coated or high-performance glass from Cardinal IG
- Glass can be customized and includes options such as laminated glass, solar- and glare-control glass, enhanced winter performance glass, and low-maintenance glass
- Pre-applied Cardinal Preserve film protects glass during installation
- Available in widths from 24" to 72" and heights from 24" to 120"
- Doors weighing up to 500 pounds open with ease
- Large glass and a minimal frame allow for more light and a modern style
- Low-profile commercial threshold
- Heavy-duty hardware
- In-stock, designer, split, and custom finishes, see page 130
- Title 24 compliant (California)



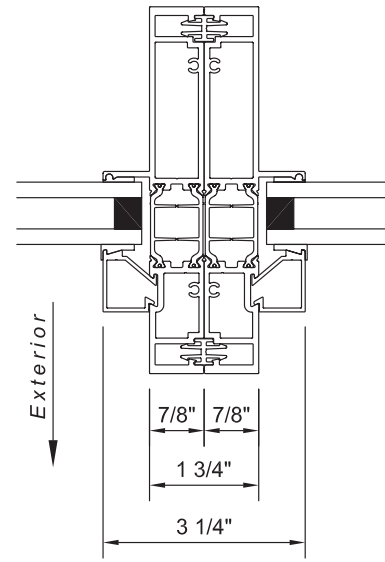
Series 7630 Window Wall



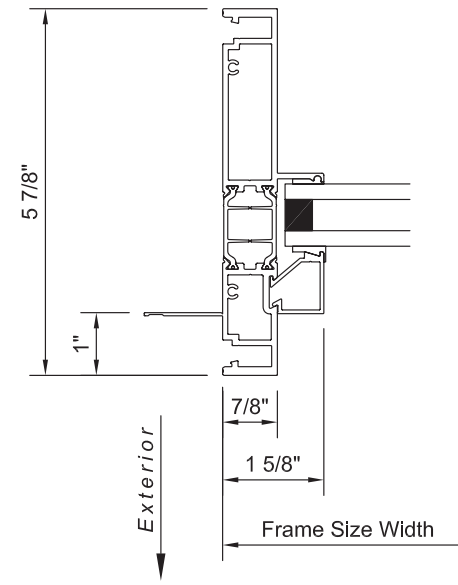
Series 7630 Window Wall



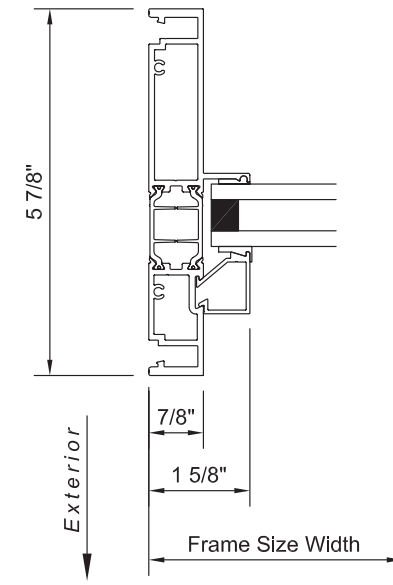
1 3/4" horizontal mull



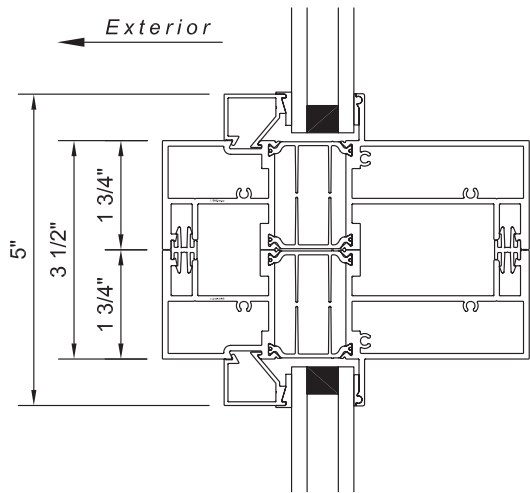
1 3/4" vertical mull



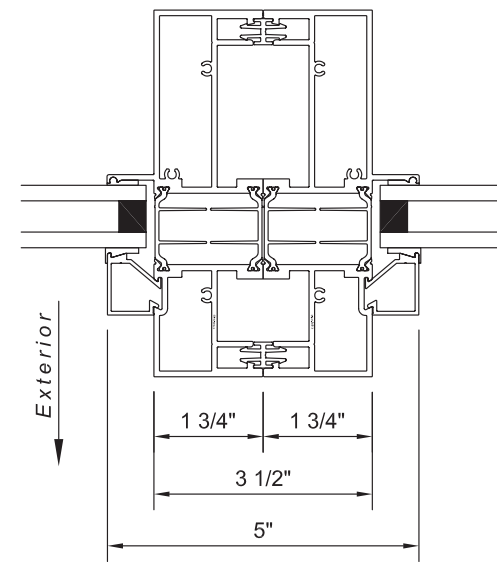
jamb nail fin frame



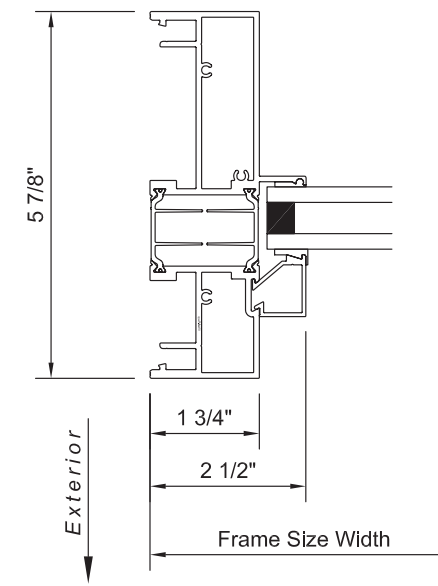
jamb equal leg block frame



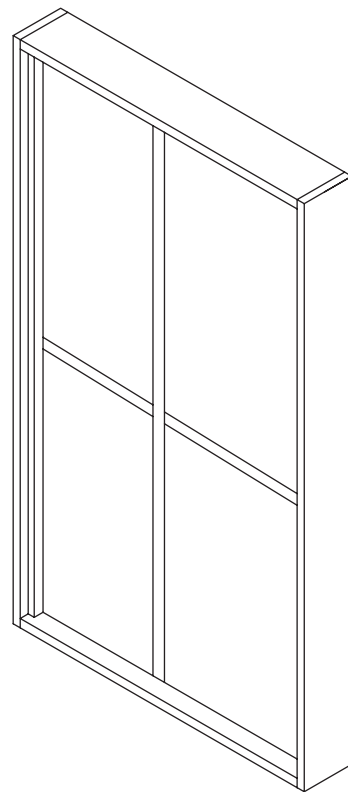
3 1/2" horizontal mull



3 1/2" vertical mull

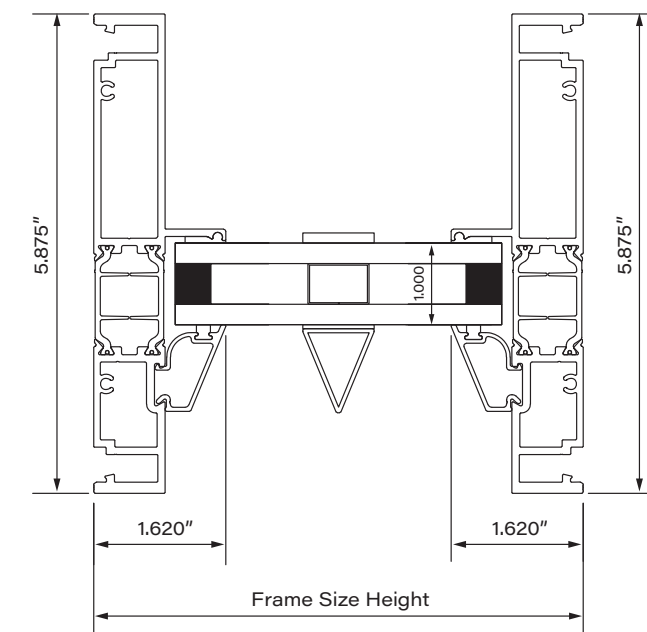
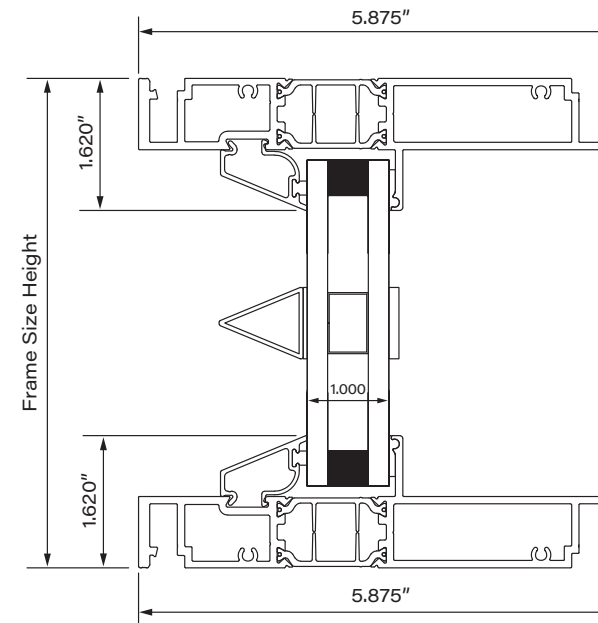


high jamb equal leg block frame

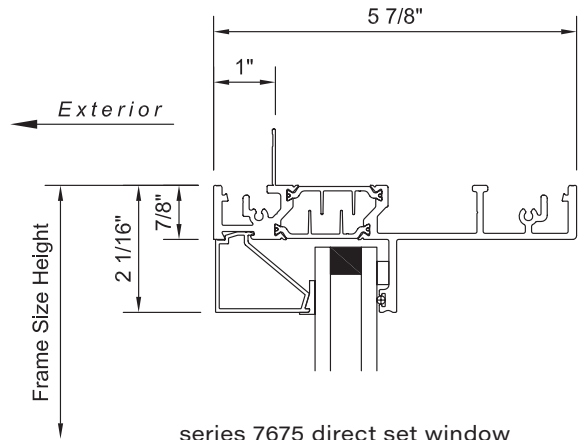


Simulated Steel Features

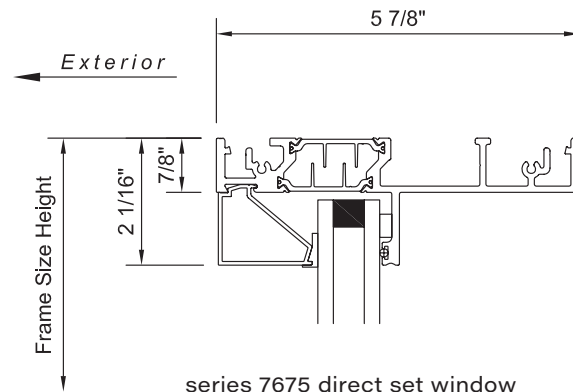
- .29 U-value for standard low-E, argon-filled dual-pane glass
- All-climate coated or high-performance glass from Cardinal IG
- Glass can be customized and includes options such as laminated glass, solar- and glare-control glass, enhanced winter performance glass, and low-maintenance glass
- Pre-applied Cardinal Preserve film protects glass during installation
- Performance grade of CW-PG100 at sizes up to 60" x 120"
- Available in sizes up to 16 feet in most markets
- 5.875" frame depth
- Standard and high-base sill options
- In-stock, designer, split, and custom finishes, see page 130
- Title 24 compliant (California)



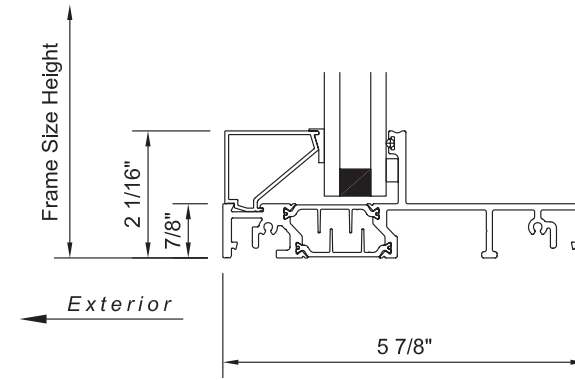
Series 7000 Window Line



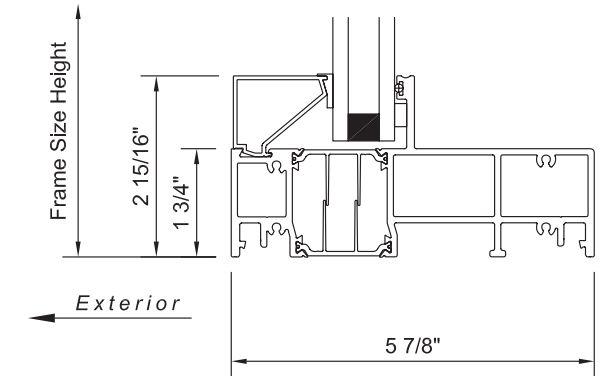
series 7675 direct set window head - nail fin frame



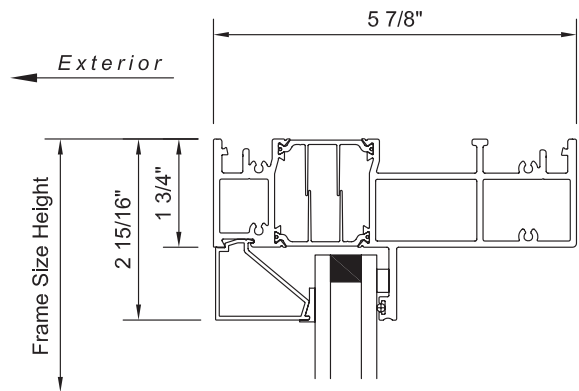
series 7675 direct set window head - equal leg block frame



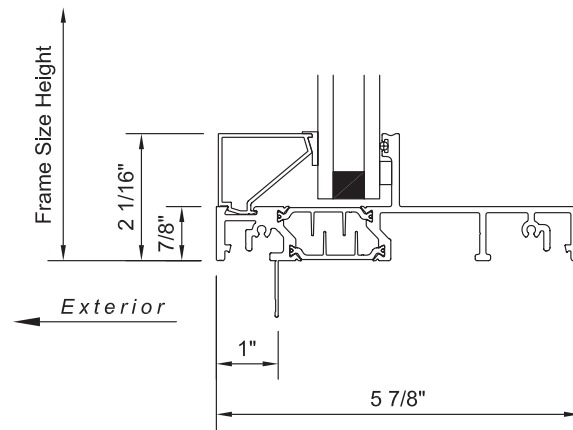
series 7675 direct set window sill - equal leg block frame



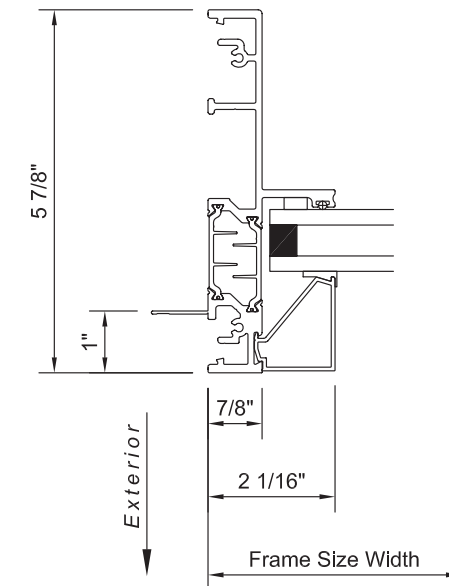
series 7675 direct set window head - equal leg block high frame



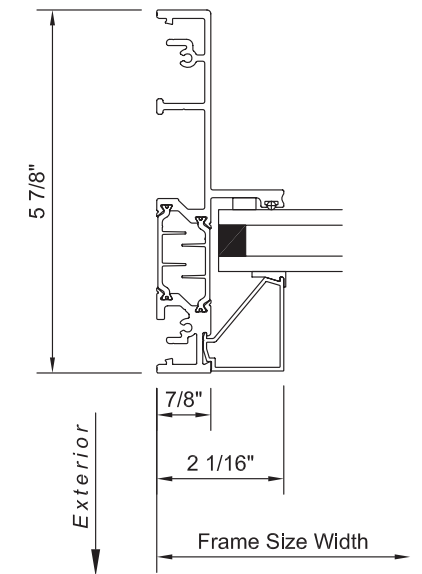
series 7675 direct set window head - equal leg block high frame



series 7675 direct set window sill - nail fin frame

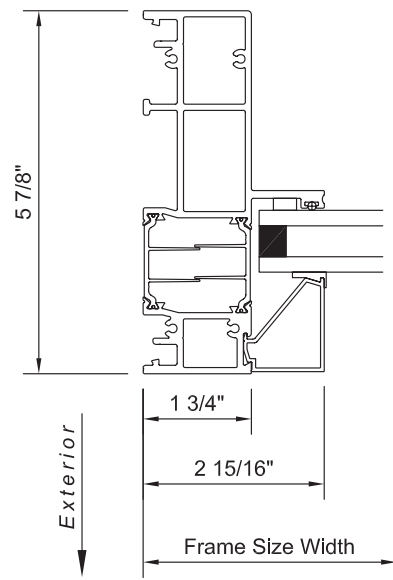


series 7675 direct set window jamb - nail fin frame

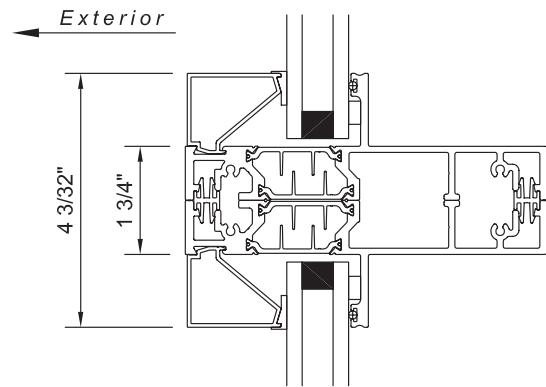


series 7675 direct set window jamb - equal leg block frame

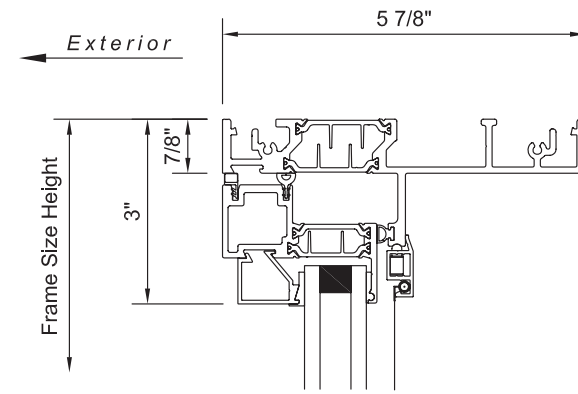
Series 7000 Window Line



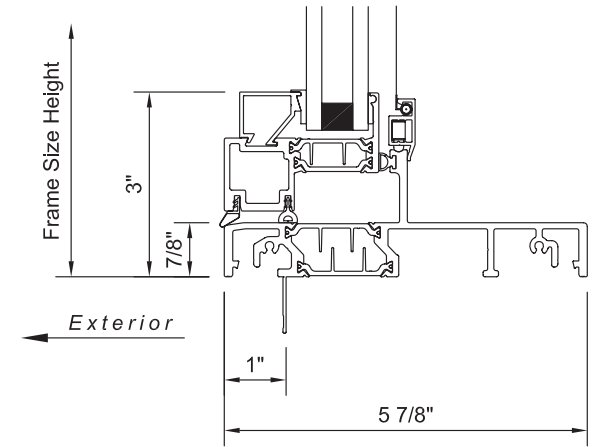
series 7675 direct set window jamb - equal leg block high frame



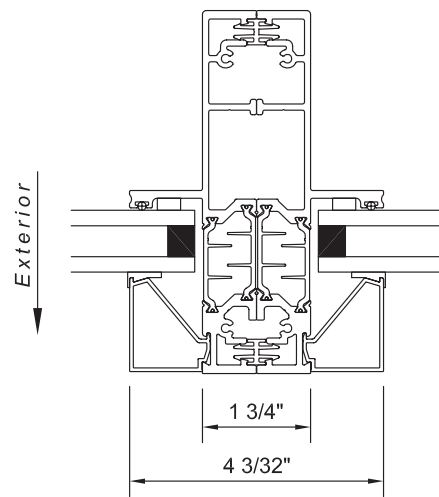
series 7675 direct set window vertical mull



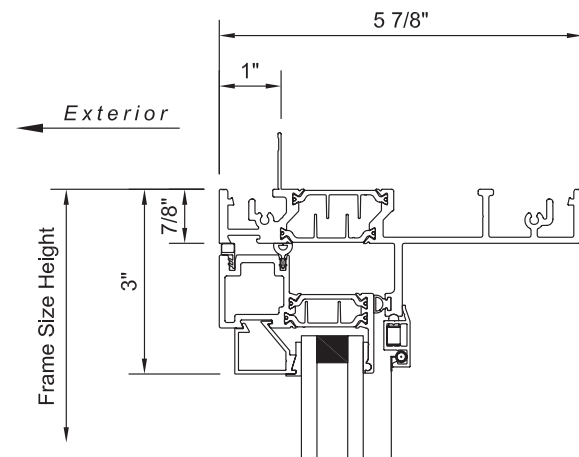
series 7660 awning and series 7670 casement window head - equal leg block frame



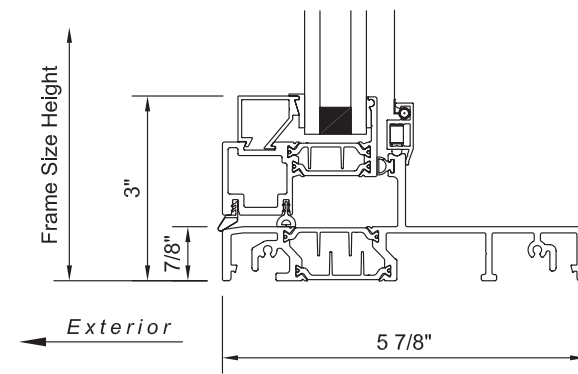
series 7660 awning and series 7670 casement window sill - nail fin frame



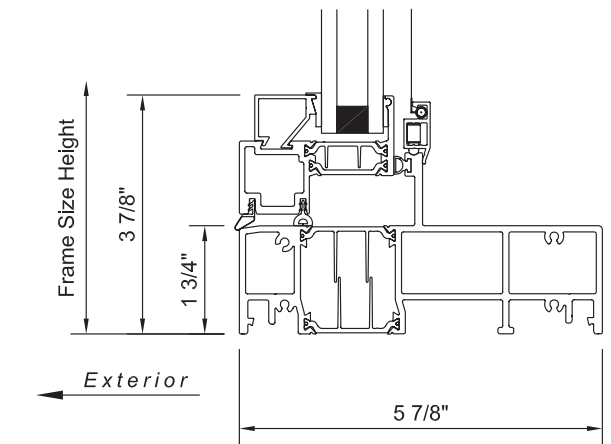
series 7675 direct set window horizontal mull



series 7660 awning and series 7670 casement window head - nail fin frame

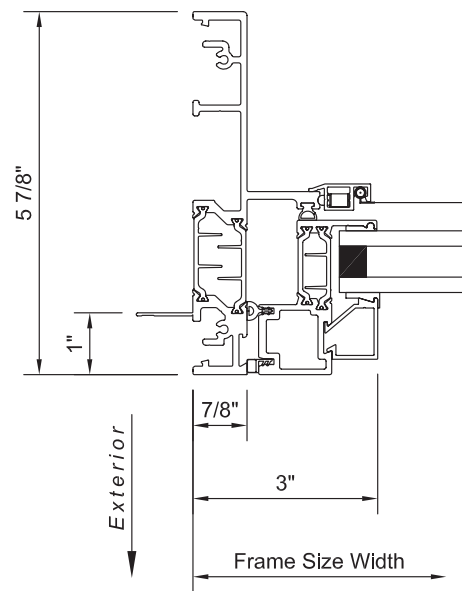


series 7660 awning and series 7670 casement window sill - equal leg block frame

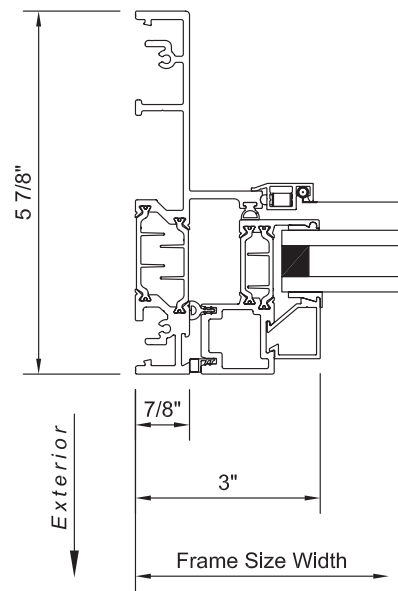


series 7660 awning and series 7670 casement window sill - equal leg block high frame

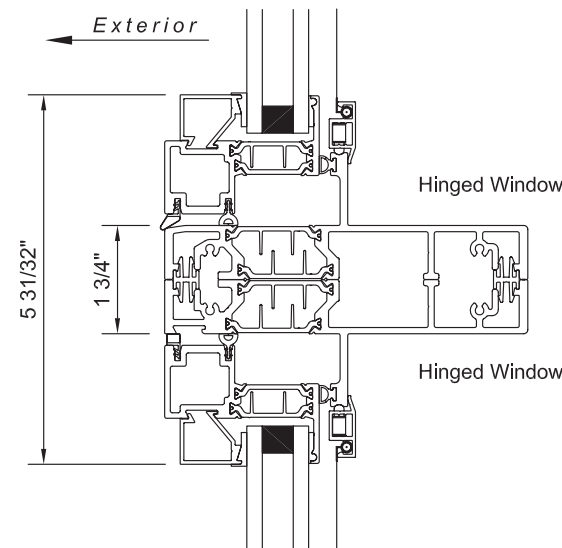
Series 7000 Window Line



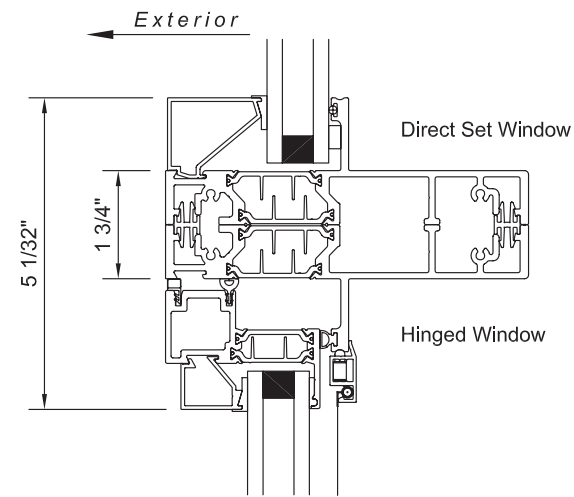
series 7660 awning and series 7670 casement window jamb - nail fin frame



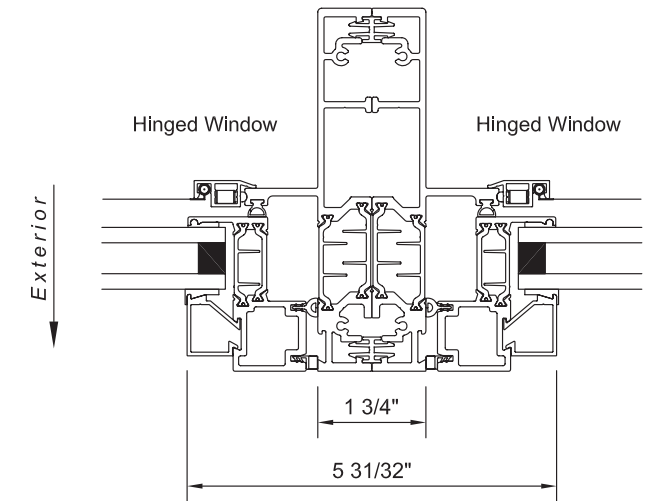
series 7660 awning and series 7670 casement window jamb - equal leg block frame



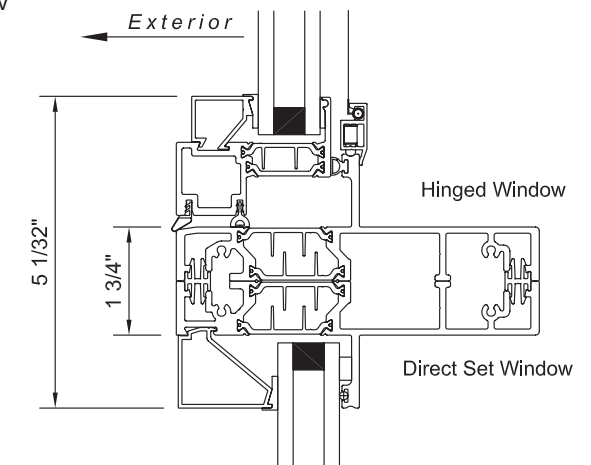
series 7660 awning and series 7670 casement window horizontal mull



series 7660, 7670 hinged window and 7675 direct set window horizontal mull

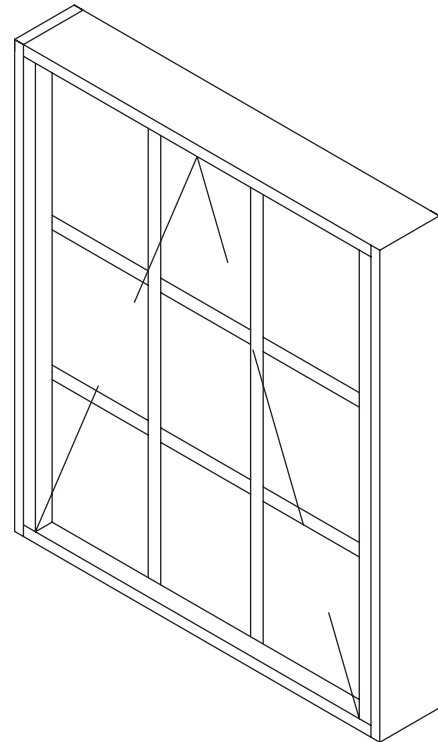


series 7660 awning and series 7670 casement window vertical mull



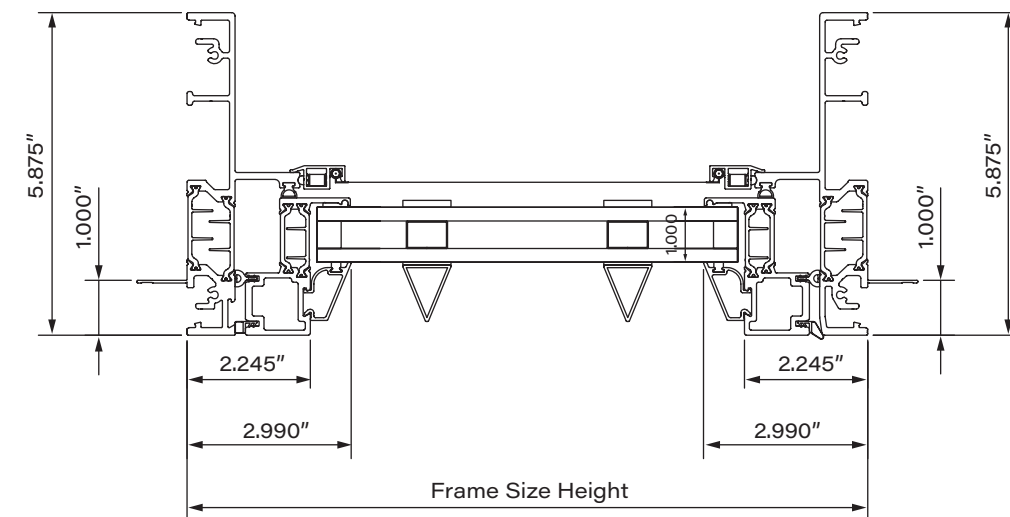
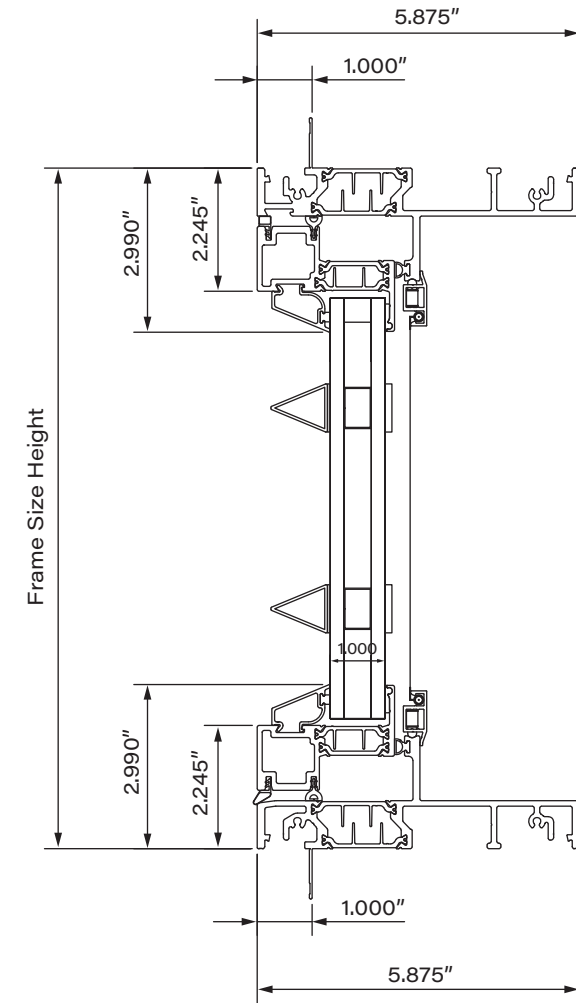
series 7660, 7670 hinged window and 7675 direct set window horizontal mull

Series 7660s Awning Window

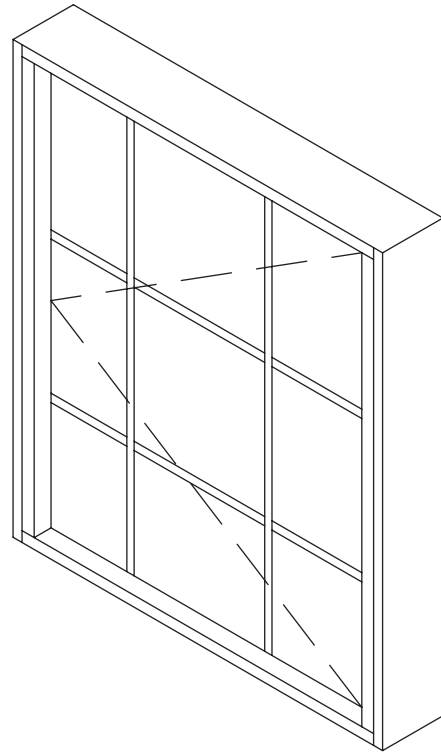


Simulated Steel Features

- .36 U-value for standard low-E, argon-filled dual-pane glass
- .33 U-value for Cardinal i89 low-E, argon-filled dual-pane glass
- Available in widths from 20" to 60" and heights from 18" to 48"
- All-weather coated or high-performance glass from Cardinal IG
- Glass can be customized and includes options such as laminated glass, solar- and glare-control glass, enhanced winter performance glass, and low-maintenance glass
- Pre-applied Cardinal Preserve film protects glass during installation
- Frame depth of 5.875"
- Performance rating of CW-PG60
- Extruded aluminum screens
- In-stock, designer, split, and custom finishes, see page 130
- Title 24 compliant (California)

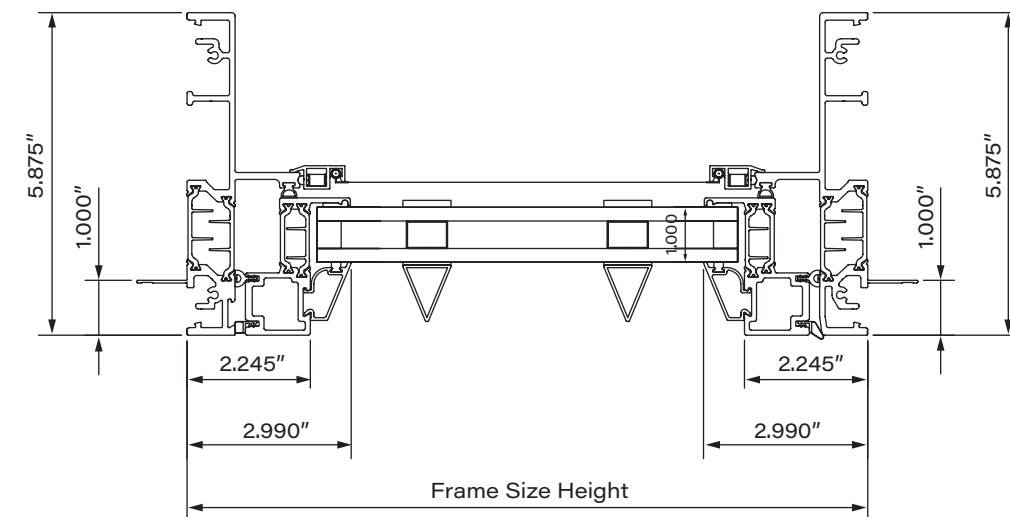
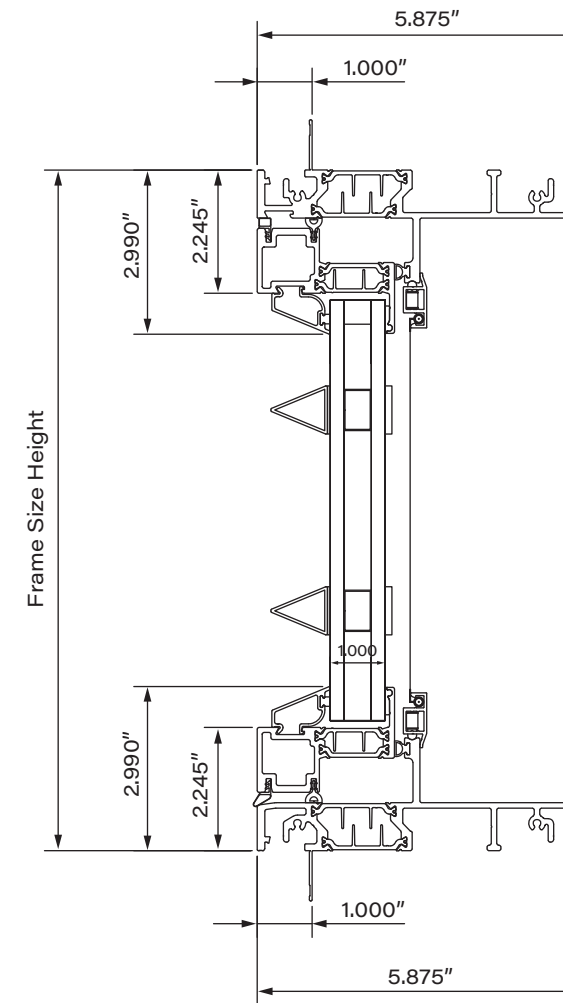


Series 7670s Casement Window

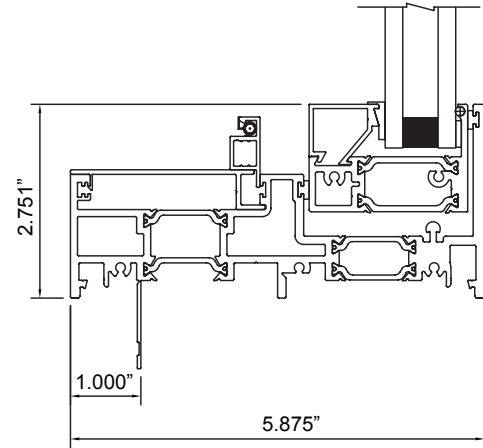


Simulated Steel Features

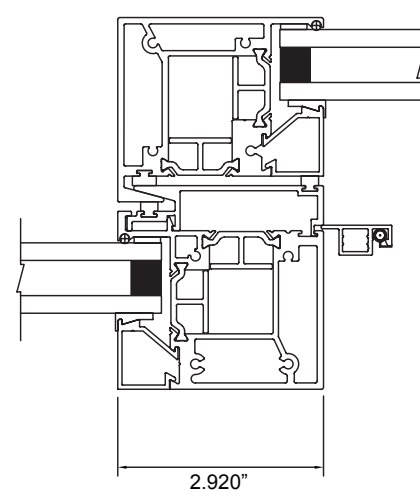
- .35 U-value for standard low-E, argon-filled dual-pane glass
- .32 U-value for Cardinal i89 low-E, argon-filled dual-pane glass
- Available in widths from 18" to 36" and heights from 18" to 95.5"
- All-weather coated or high-performance glass from Cardinal IG
- Glass can be customized and includes options such as laminated glass, solar- and glare-control glass, enhanced winter performance glass, and low-maintenance glass
- Pre-applied Cardinal Preserve film protects glass during installation
- Frame depth of 5.875"
- Performance rating of CW-PG50
- Extruded aluminum screens
- In-stock, designer, split, and custom finishes, see page 130
- Title 24 compliant (California)



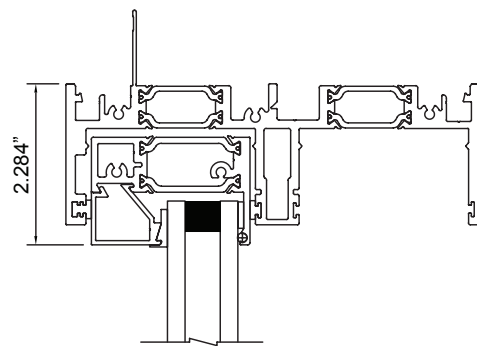
Series 7610 Single-Hung Window



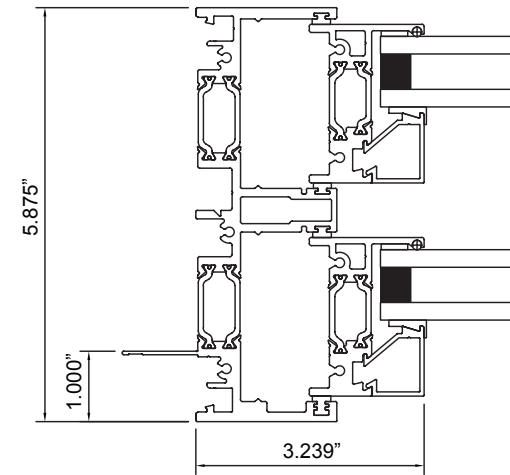
nail-fin condition



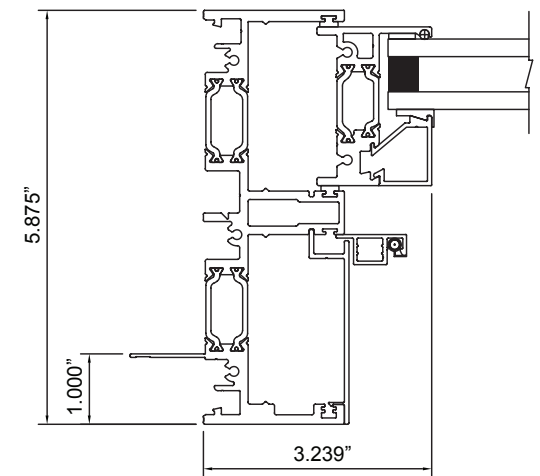
interlock condition



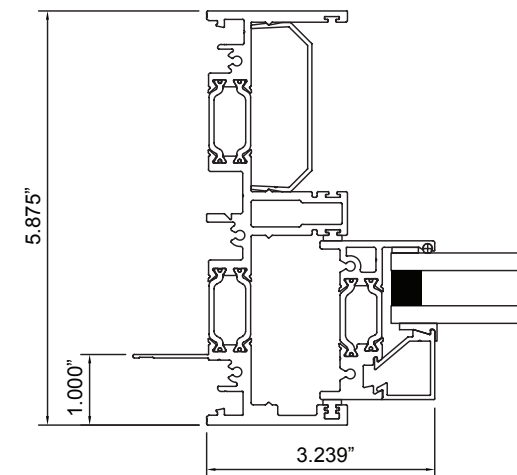
nail-fin condition



jamb all panel

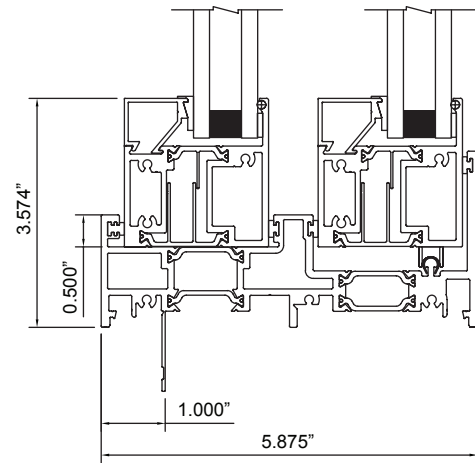


vent panel

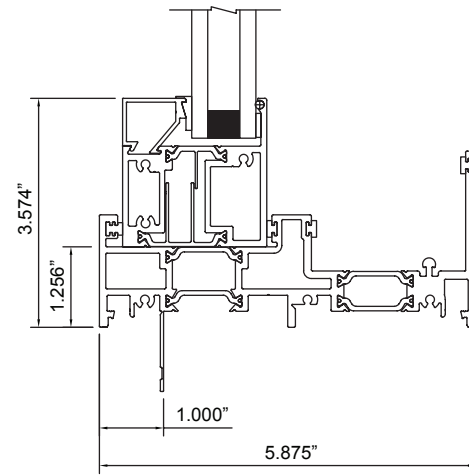


fixed panel

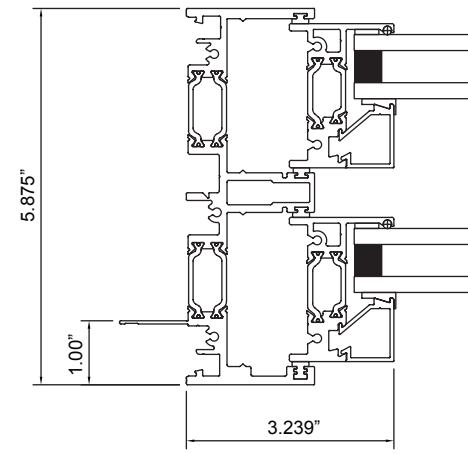
Series 7620 Sliding Window



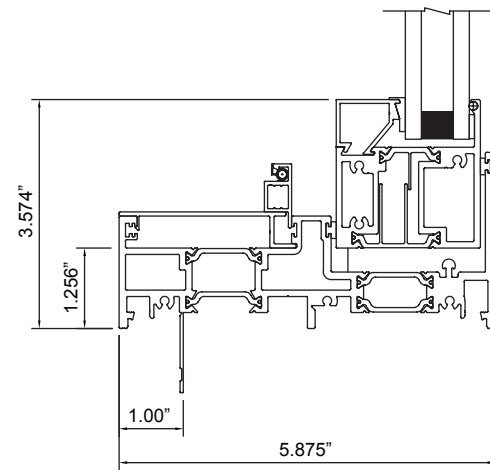
all panel condition



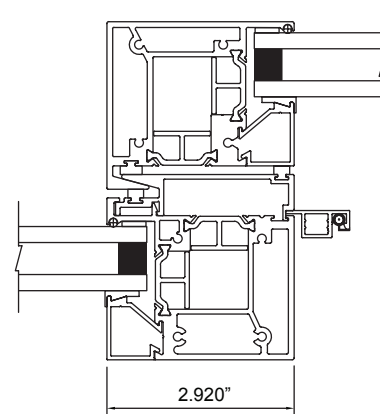
fixed panel condition



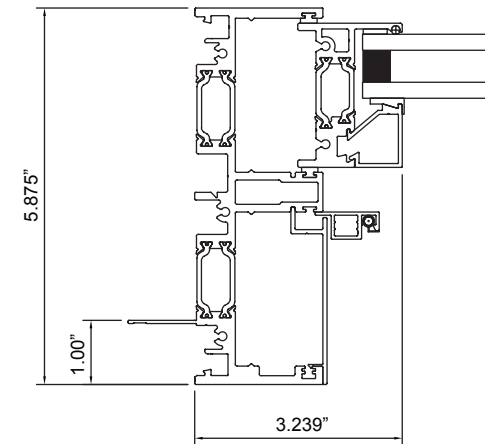
all panel condition



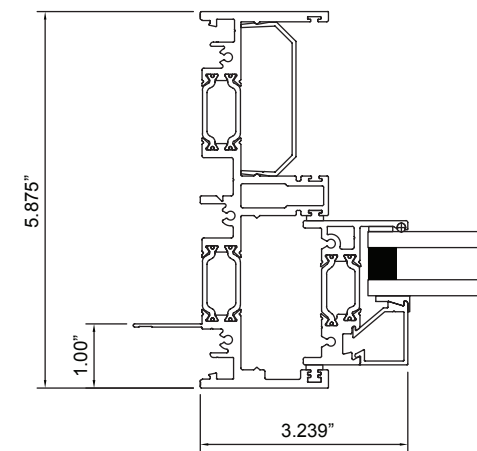
vent panel condition



interlock condition



vent panel condition



fixed panel condition

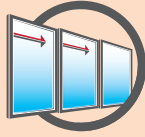
Product Families

Classic Line

High-quality disappearing glass walls and windows that combine exceptional performance with clean design.

Doors

Multi-Slide Door



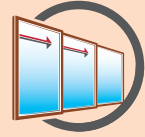
Series 600
Multi-Slide Stacking & Pocketing Door
(Window Option Available)

Sliding Glass Door



Series 600
Sliding Glass Door
(Window Option Available)

Wood Clad Multi-Slide Door



Series 2600
Multi-Slide Stacking & Pocketing Door

Bi-Fold Door



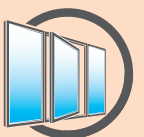
Series 9500
Bi-Fold Door
(Window Option Available)

Hinged Door



Series 900
Hinged Door

Pivot Door



Series 980
Pivot Door

Windows

Window Wall



Series 600
Window Wall

Fixed Window



Series 620/670
Fixed Window

Hinged Windows



Series 670
Casement



Series 670
Awning



Series 670
Hopper

Operating Windows



Series 610
Single-Hung



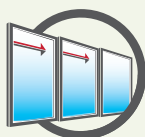
Series 620
Sliding Window

Performance Line

Our Series 7000 family of moving glass walls and windows address energy and structural requirements while promoting contemporary design.

Doors

Multi-Slide Door



Series 7600
Multi-Slide Stacking & Pocketing Door
(Window Option Available)

Sliding Glass Door



Series 7650
Sliding Glass Door
(Window Option Available)

Bi-Fold Door



Series 7950
Bi-Fold Door
(Window Option Available)

Hinged Door



Series 7900
Hinged Door

Pivot Door



Series 7980
Pivot Door

Windows

Window Wall



Series 7630
Window Wall

Fixed Window



Series 7615/7625/7675
Fixed Window

Hinged Windows



Series 7670
Casement



Series 7660
Awning



Series 7680
Hopper

Operating Windows



Series 7610
Single-Hung



Series 7620
Sliding Window

Simulated Steel Line

Energy-smart, design-forward aluminum doors and windows that look like steel but are far more affordable.

Doors

Multi-Slide Door



Series 7600s
Multi-Slide Stacking & Pocketing Door
(Window Option Available)

Sliding Glass Door



Series 7650s
Sliding Glass Door
(Window Option Available)

Bi-Fold Door



Series 7950s
Bi-Fold Door
(Window Option Available)

Hinged Door



Series 7900s
Hinged Door

Pivot Door



Series 7980s
Pivot Door

Windows

Window Wall



Series 7630s
Window Wall

Hinged Windows



Series 7660s
Awning



Series 7670s
Casement

Aluminum Finishes

Bronze Anodized

* Cinnamon Toast

Satin Anodized

* Warmtone

Aluminum finishes are available in-stock or as designer selections, and they can be customized to match nearly any color. Split finishes, in which different finishes are used on opposite sides of the door for additional design flexibility, are also available. For exact paint swatch samples, contact us.

* Available as a split finish.

* White

* Autumn Night

* Navajo White

* Briar

* Stonish Beige

* Hillside Bronze

"In minimalist and modern design, we are always trying to get more glazing and less frame. With the newer Western Window Systems units, we are starting to see even smaller frame profiles and bigger allowed areas of glazing."

– Dan Weber, Principal, ANACAPA Architecture





Series7000 190516