



Simulated Steel Moving Glass Walls and Windows



For additional information, please contact:

Western Window Systems
2200 E. Riverview Dr.
Phoenix, AZ 85034
877-268-1300

westernwindowssystems.com

For sales inquiries, please visit:

westernwindowssystems.com/contact-us



Like Steel. Unlike Anything Else.

4 About the Simulated Steel Line

Technical Specifications

- 14 Series 7600s Multi-Slide Door ■■■■
- 16 Series 7650s Sliding Glass Door ■■■■
- 20 Series 7950s Bi-Fold Door ■■■■
- 22 Series 7900s Hinged Door ■■■■
- 24 Series 7980s Pivot Door ■■■■
- 26 Series 7630s Window Wall ■■■■
- 28 Series 7660s Awning Window ■■■■
- 30 Series 7670s Casement Window ■■■■

Follow us on:

Facebook

www.facebook.com/WesternWindowSystems

YouTube

www.youtube.com/user/westernwindowssystems

Twitter

[@WesternWS](https://twitter.com/WesternWS)

Instagram

[@western_window_systems](https://www.instagram.com/western_window_systems)

Houzz

www.houzz.com/pro/westernws

LinkedIn

www.linkedin.com/company/western-window-systems



Like Steel. Unlike Anything Else.

Affordable. Energy-smart. Beautiful. These are reasons enough to choose Western Window Systems' simulated steel line of moving glass walls and windows. But as you'll see, they're just the beginning of the ways we can serve your design needs for a multitude of architectural styles.



No Other Simulated Steel Product

Impeccable Design

Embodying nearly 60 years of advancements in door and window design, our thermally broken simulated steel line of moving glass walls and windows reaches new heights of luxury and refinement. Of course, the elements that make Western Window Systems a top choice among architects — clean, narrow profiles to keep glass big and maximize the amount of natural light — are still unmistakable.

Customized to Your Vision

From traditional projects with factory-style windows and doors to modern minimalist looks featuring large panes of glass, you'll find nearly limitless expression with our simulated steel line. Choose made-to-order moving glass walls and windows that, thanks to a signature design, can go taller and wider than you'd expect. Options such as split finishes, screens, and hardware allow for even more design flexibility.

Rewards You in So Many Ways

Superior Performance

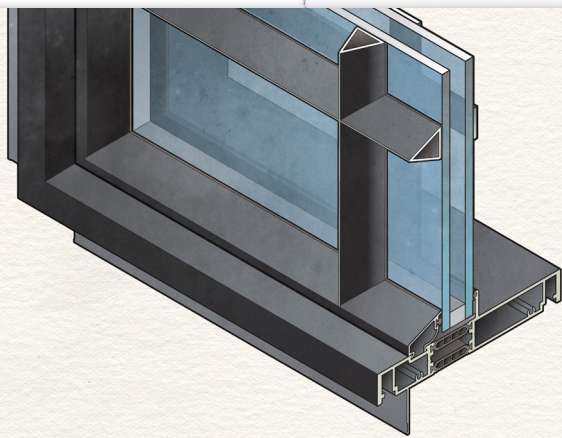
Built with a signature aluminum extrusion design, across-the-board low U-value ratings, and low-E, argon-filled dual-pane glass, Western Window Systems' thermally broken simulated steel line is all about reducing energy consumption. A proprietary Insulbar profile assists in increased thermal performance and strength. All product families are NFRC-tested to a design pressure rating of 50 and support laminated and security glass essential for noise reduction.

Faster, Easier, and More Affordable

Unlike steel doors and windows that can cost double the price of aluminum, require field glazing, and include lengthy lead times, Western Window Systems' simulated steel line is all about inspiration, efficiency, and value. Of course, there's a price advantage — but also completely customizable products, short production lead times, and pre-glazed systems to reduce handling and installation time.

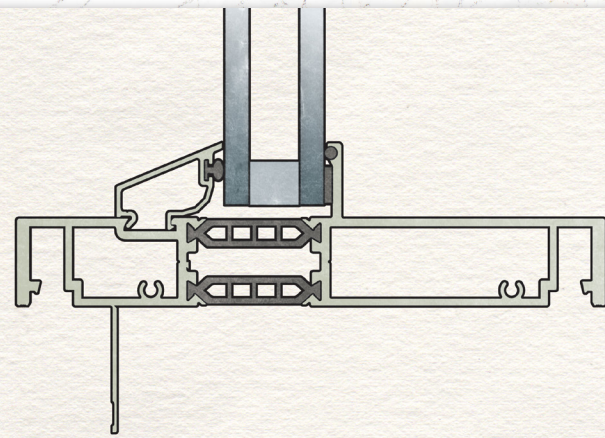


The Features You Want, the Capabilities You Expect



Narrow, Clean Profiles

Decidedly design-forward, the simulated steel line is all about detail, such as beveled glass stops and .875" simulated divided lites (SDLs) designed to emulate a steel putty glaze.



High-Performance Glass

Options from Cardinal IG include laminated glass, solar- and glare-control glass, enhanced winter performance glass, and low-maintenance glass.



Finishes

Available in-stock, as designer selections, or customized to match any color.



Easy Integration

Simulated steel doors and windows easily integrate to form a unified look.



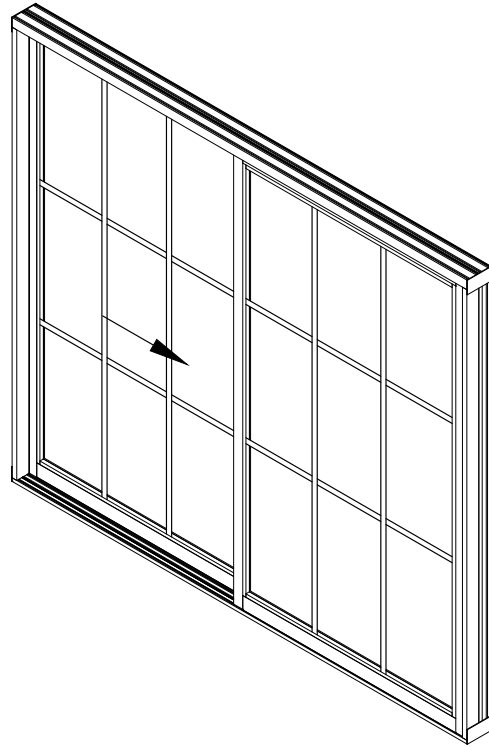
Make a Statement on an Epic Scale

Designed around narrow sightlines, beveled glass stops, and coped muntin bars, our simulated steel line replicates the existing steel profiles used in many historic buildings, universities, and commercial projects. Thermally broken aluminum, low U-values, and superior design pressure ratings mean you have the strength and performance to bring your biggest ideas to life.

Technical Specifications

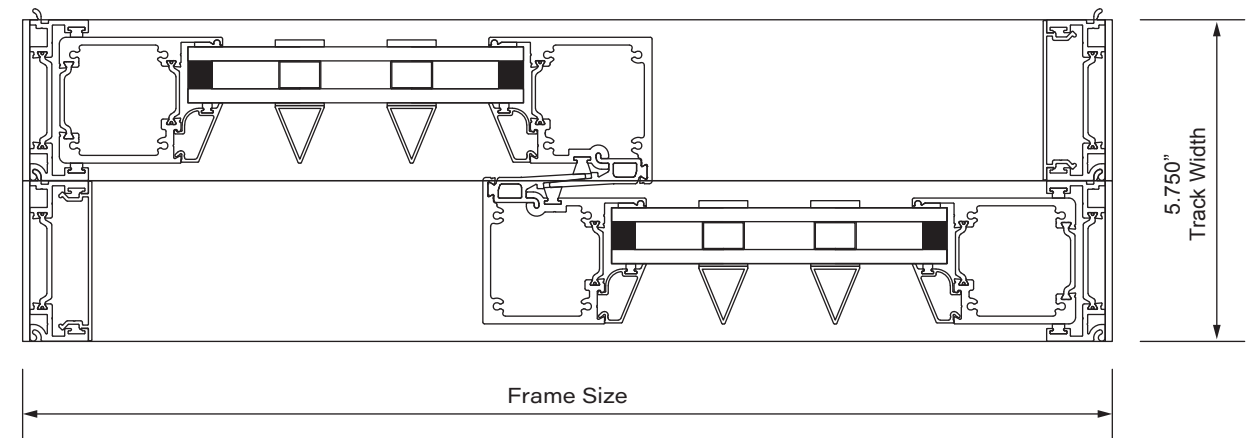
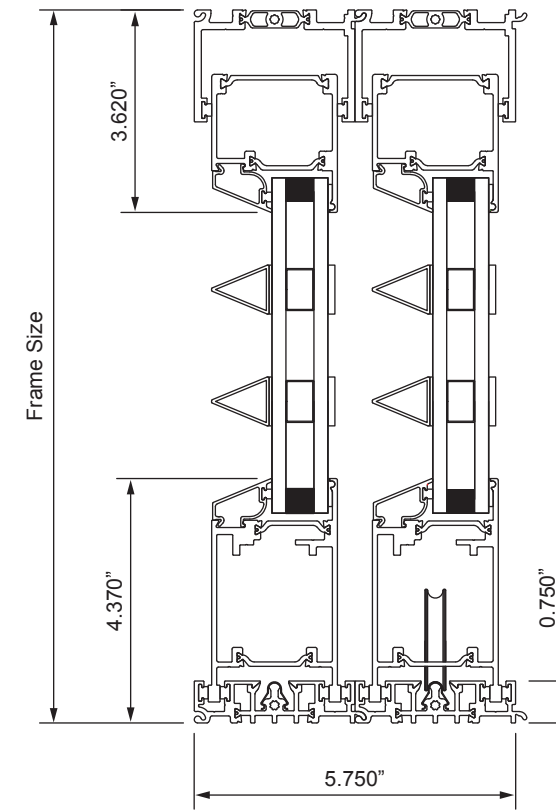


Series 7600s Multi-Slide Door

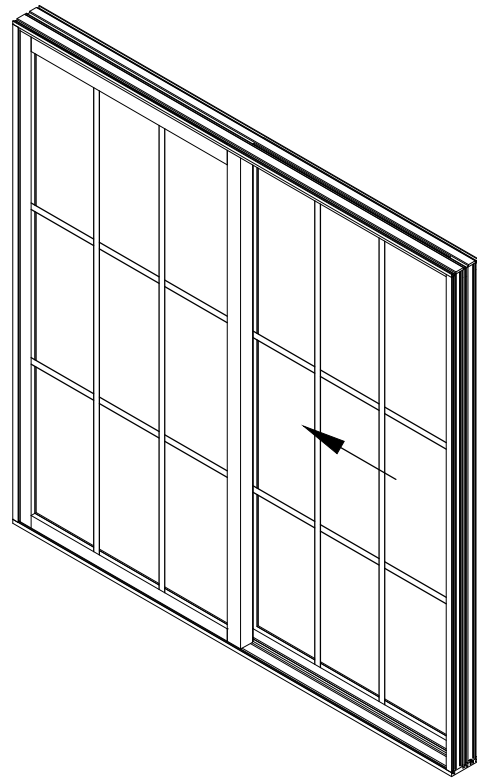


Features

- 0.30 U-value for standard low-E, argon-filled dual-pane glass
- 0.19 U-value for high-performance triple-pane glass
- All-climate coated or high-performance glass from Cardinal IG
- Glass can be customized and includes options such as laminated glass, solar- and glare-control glass, enhanced winter performance glass, and low-maintenance glass
- Pre-applied Cardinal Preserve Film protects glass during installation
- Performance-rated at DP50
- Available in sizes up to 15 feet in most markets
- 2.90" interlock stile
- Pocketing, non-pocketing, bi-parting, and 90-degree configurations
- Certified by AAMA
- Energy Star-qualified options
- Sealed stainless-steel ball bearing rollers
- Quad-Zilla roller for extreme sizes and heavy glass types
- Water barrier, flush, and thinline sill options
- Premium or flush-mounted handle
- Interlocking track design
- Concealed locking system
- Aluminum frame panel screen
- In-stock, designer, split, and custom finishes
- System automation (third party)
- Title 24 compliant (California)

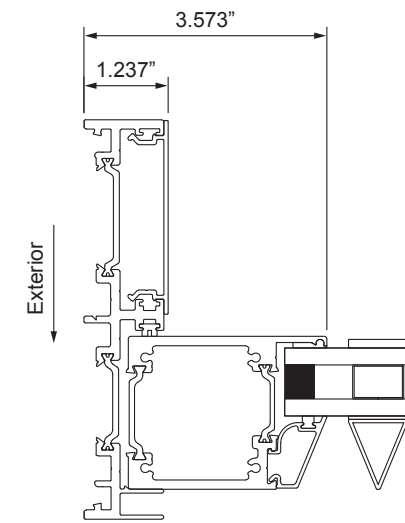


Series 7650s Sliding Glass Door

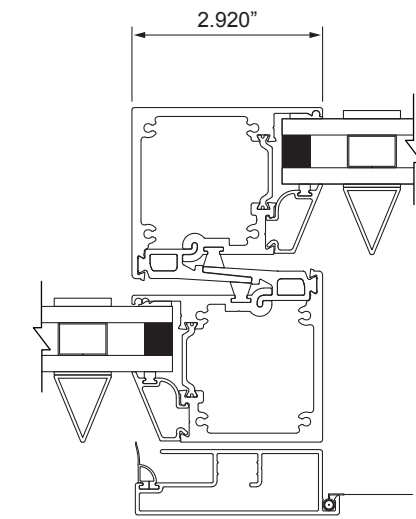


Features

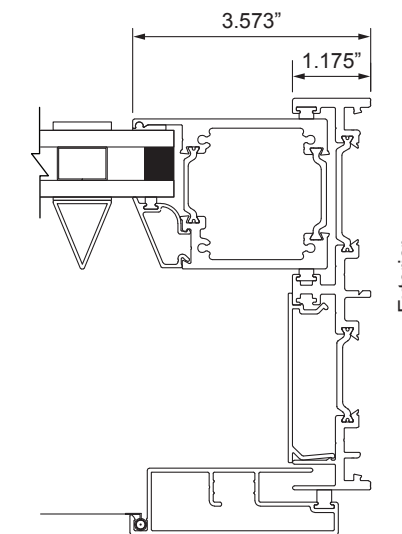
- 0.30 U-value for standard low-E, argon-filled dual-pane glass
- 0.19 U-value for high-performance triple-pane glass
- All-climate coated or high-performance glass from Cardinal IG
- Glass can be customized and includes options such as laminated glass, solar- and glare-control glass, enhanced winter performance glass, and low-maintenance glass
- Pre-applied Cardinal Preserve Film protects glass during installation
- Performance-rated at DP50
- Available in sizes up to 15 feet in most markets
- 2.90" interlock stile
- Certified by AAMA
- Quad-Zilla roller for extreme sizes and heavy glass types
- Water barrier and flush sill options
- Premium or flush-mounted handle
- Concealed locking system
- Aluminum frame panel screen
- In-stock, designer, split, and custom finishes
- System automation (third party)
- Title 24 compliant (California)



Fixed Jamb

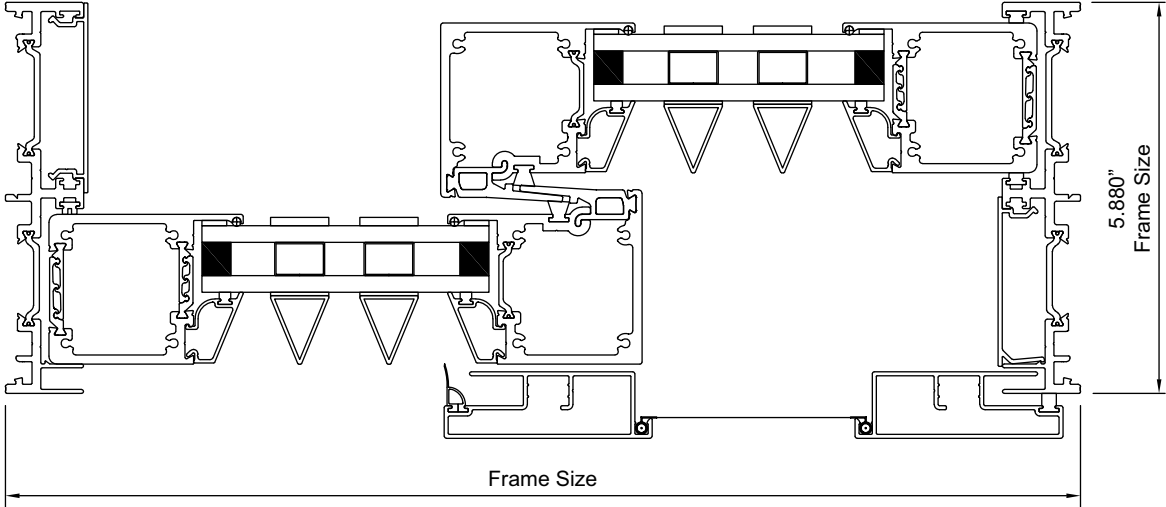
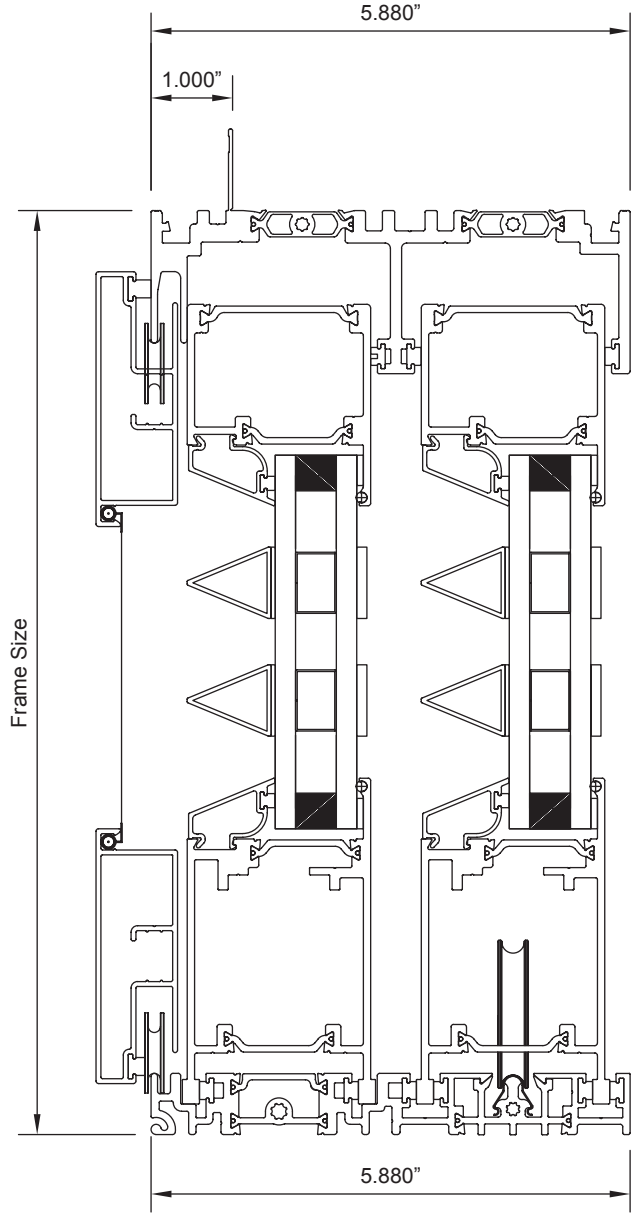


Interlock (Typical)

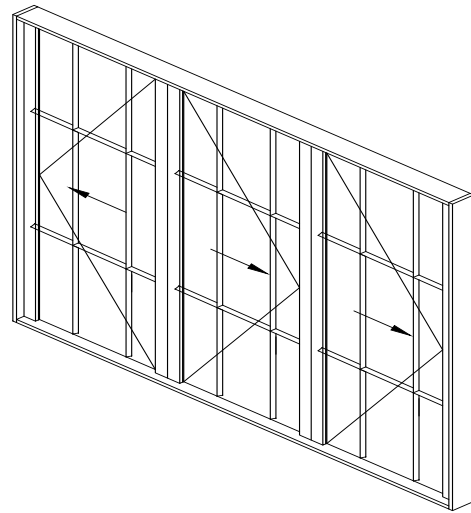


Lock Jamb at Active

Series 7650s Sliding Glass Door

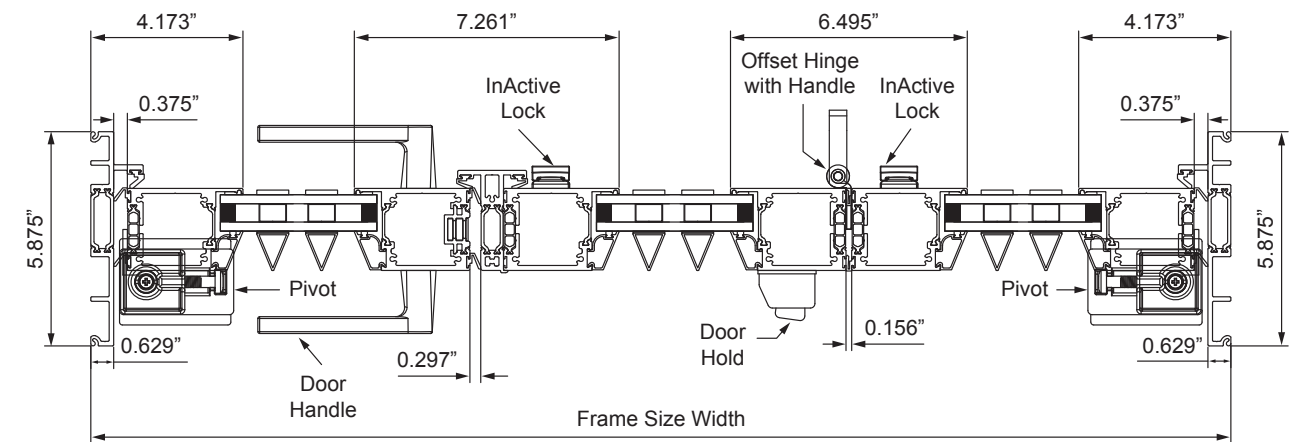
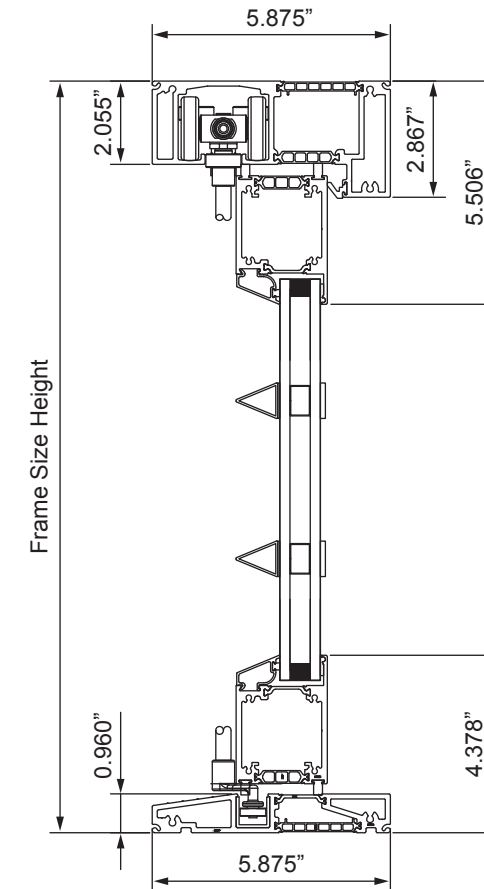
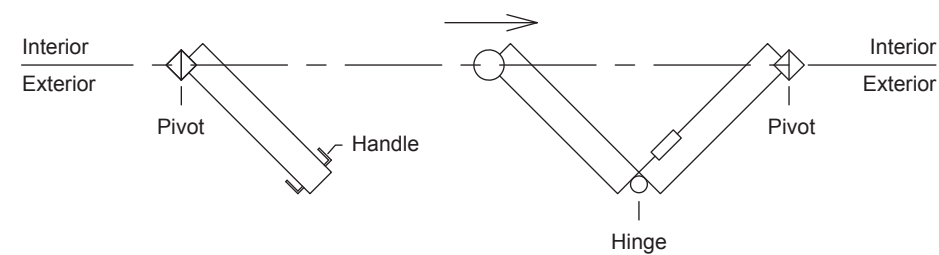


Series 7950s Bi-Fold Door

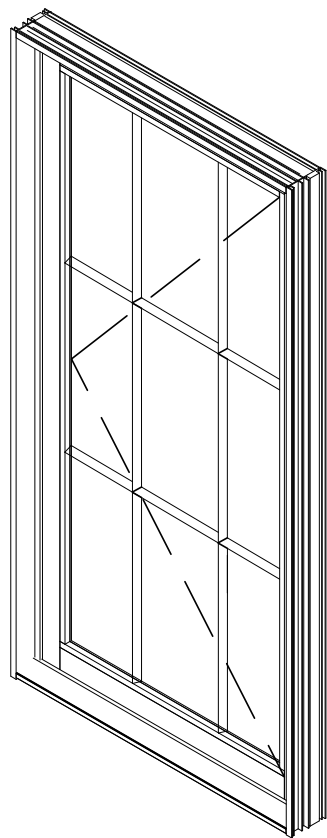


Features

- 0.30 U-value for standard low-E, argon-filled dual-pane glass
- All-climate coated or high-performance glass from Cardinal IG
- Glass can be customized and includes options such as laminated glass, solar- and glare-control glass, enhanced winter performance glass, and low-maintenance glass
- Pre-applied Cardinal Preserve Film protects glass during installation
- Performance-rated at DP50
- Certified by AAMA
- A 3.17" stile
- Head load carrier hinges available in standard and heavy-duty capacities
- Water barrier, flush sill, and U-track options
- Concealed locking system
- In-stock, designer, split, and custom finishes
- Title 24 compliant (California)

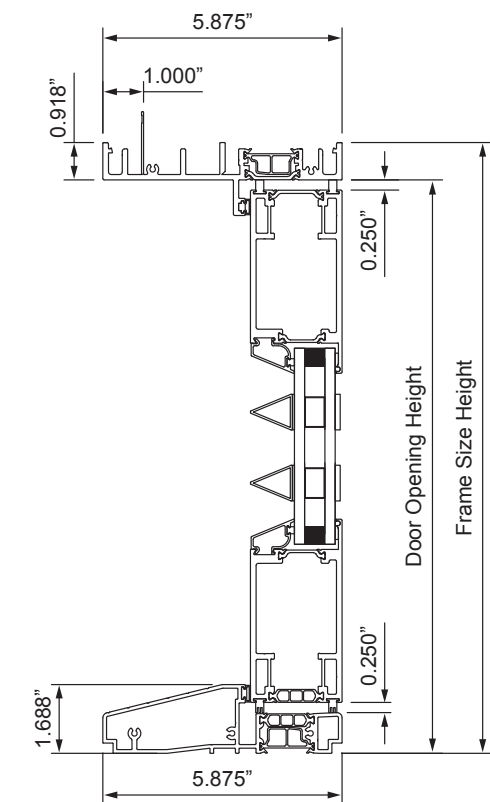
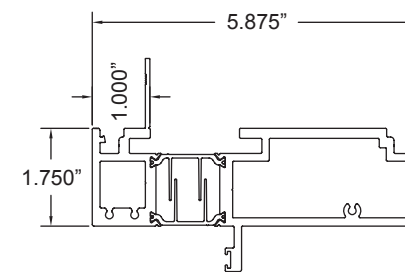
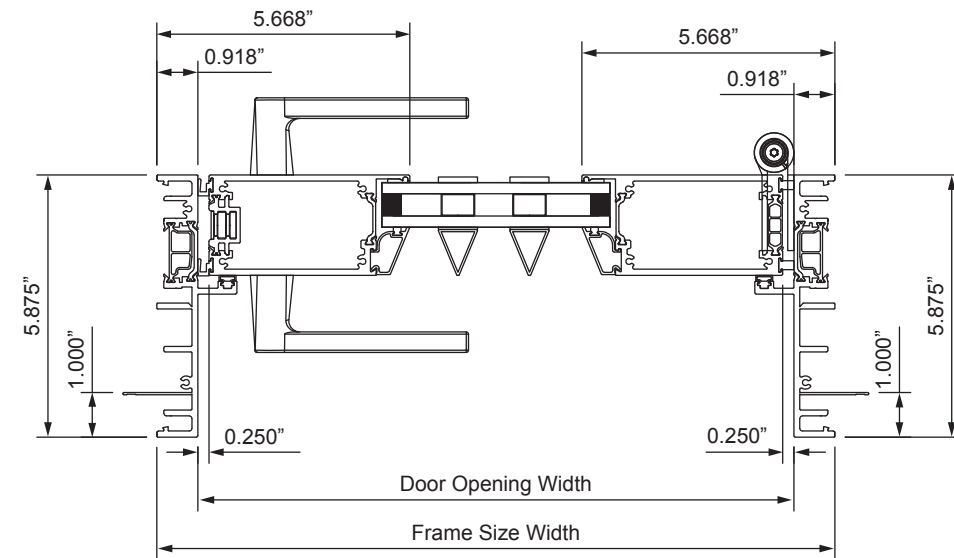


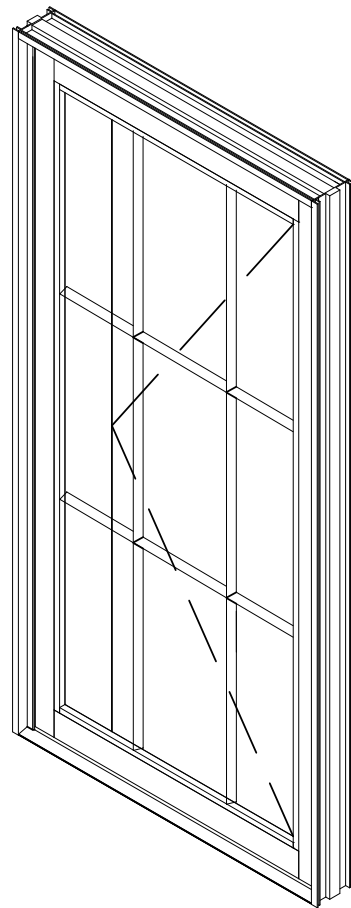
Series 7900s Hinged Door



Features

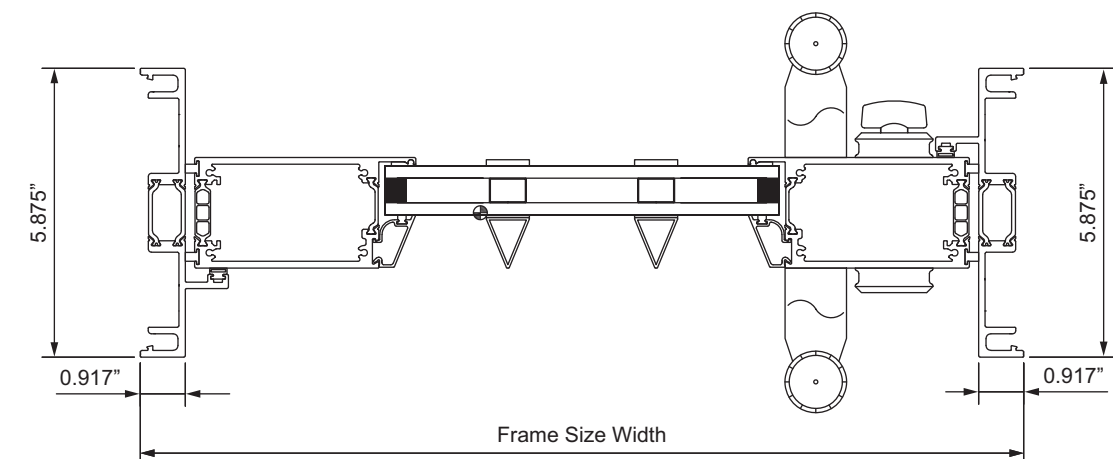
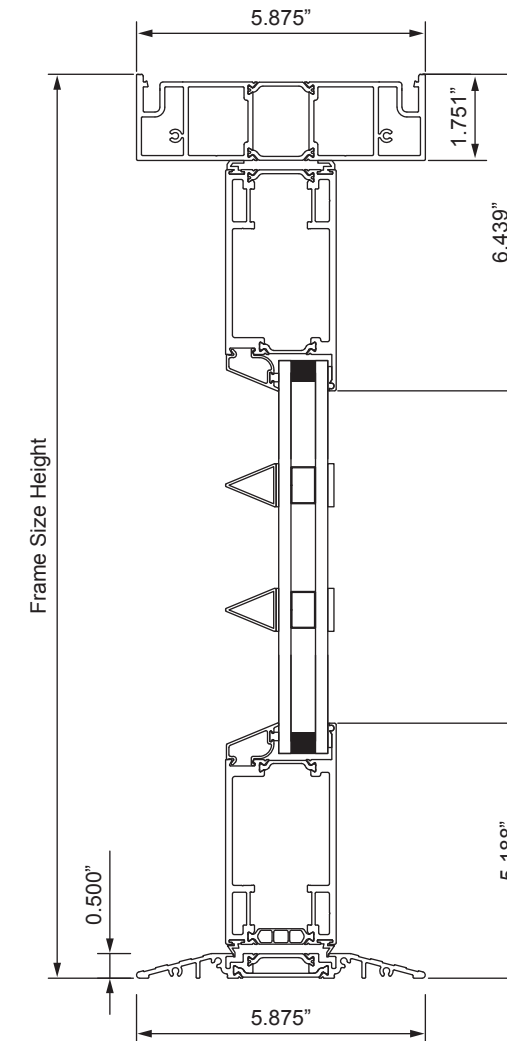
- 0.30 U-value for standard low-E, argon-filled dual-pane glass
- 0.21 U-value for high-performance triple-pane glass
- All-climate coated or high-performance glass from Cardinal IG
- Glass can be customized and includes options such as laminated glass, solar- and glare-control glass, enhanced winter performance glass, and low-maintenance glass
- Pre-applied Cardinal Preserve Film protects glass during installation
- Currently available in 4' x 10' panel sizes with standard jambs and up to 5' x 12' panel sizes with heavy-duty jambs
- Performance-rated at DP50 (inswing) and DP50 (outswing)
- Standard and commercial threshold options
- Four locking options
- Heavy-duty hardware
- In-stock, designer, split, and custom finishes
- Title 24 compliant (California)

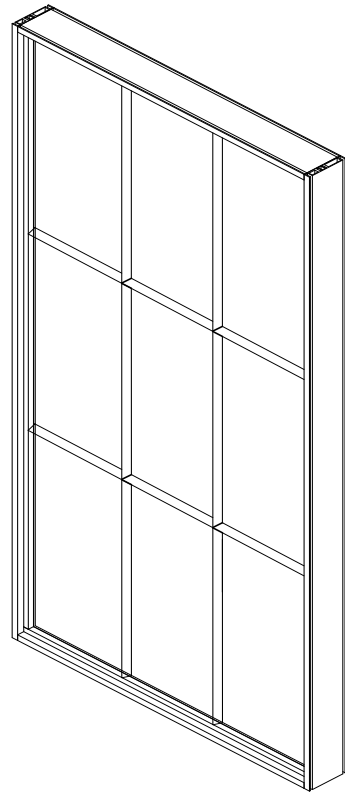




Features

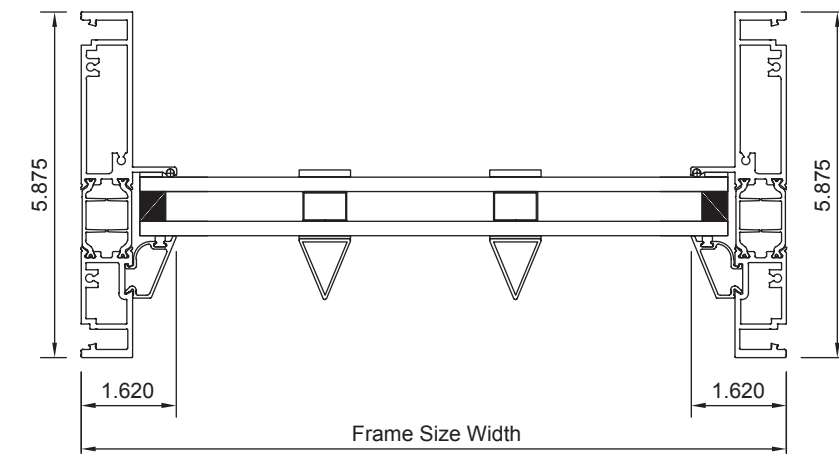
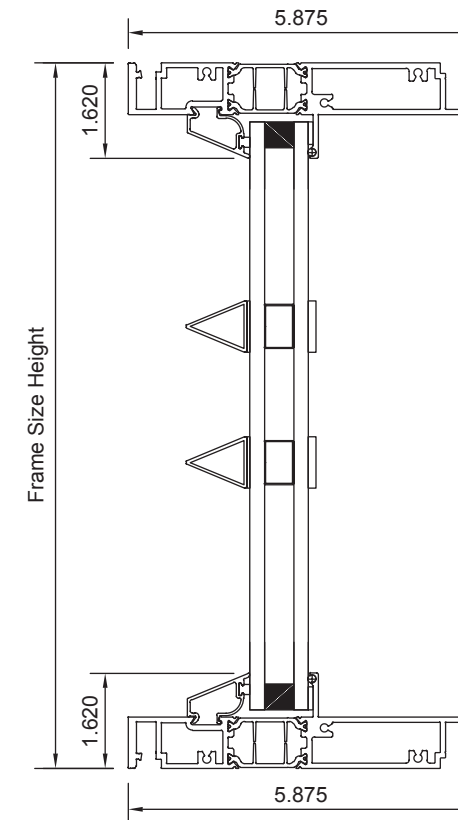
- 0.30 U-value for standard low-E, argon-filled dual-pane glass
- All-climate coated or high-performance glass from Cardinal IG
- Glass can be customized and includes options such as laminated glass, solar- and glare-control glass, enhanced winter performance glass, and low-maintenance glass
- Pre-applied Cardinal Preserve Film protects glass during installation
- Available in widths up to 96" and heights up to 144"
- Doors weighing up to 500 pounds open with ease
- Large glass and a minimal frame allow for more light and a modern style
- Low-profile commercial threshold
- Heavy-duty hardware
- In-stock, designer, split, and custom finishes
- Title 24 compliant (California)



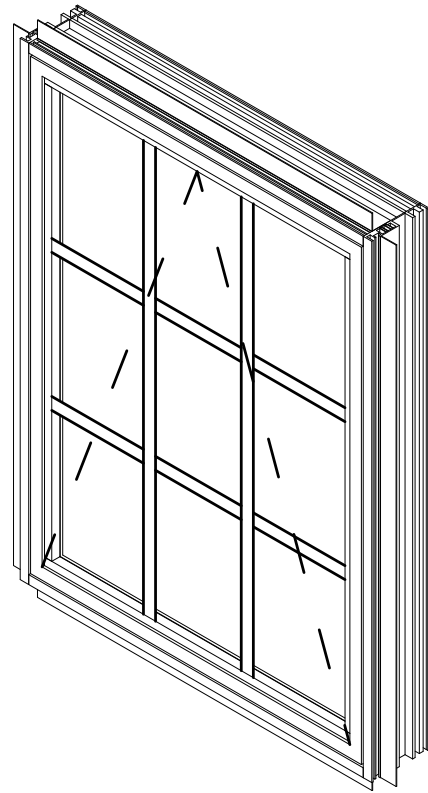


Features

- 0.29 U-value for standard low-E, argon-filled dual-pane glass
- 0.17 U-value for high-performance triple-pane glass
- All-weather coated or high-performance glass from Cardinal IG
- Glass can be customized and includes options such as laminated glass, solar- and glare-control glass, enhanced winter performance glass, and low-maintenance glass
- Pre-applied Cardinal Preserve Film protects glass during installation
- Performance grade of CW-PG100 at sizes up to 60" x 120"
- Available in sizes up to 16 feet in most markets
- 5.875" frame depth
- Standard and high-base sill options
- In-stock, designer, split, and custom finishes
- Title 24 compliant (California)

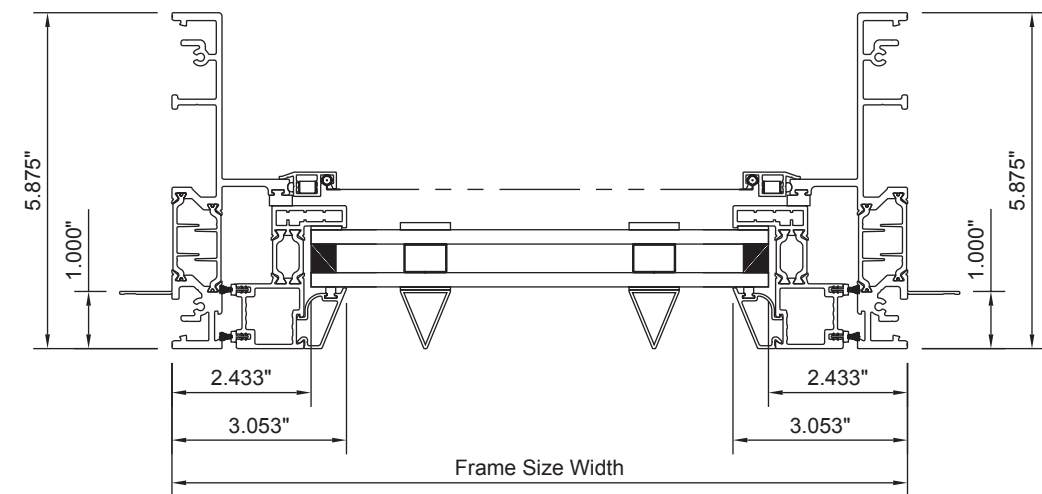
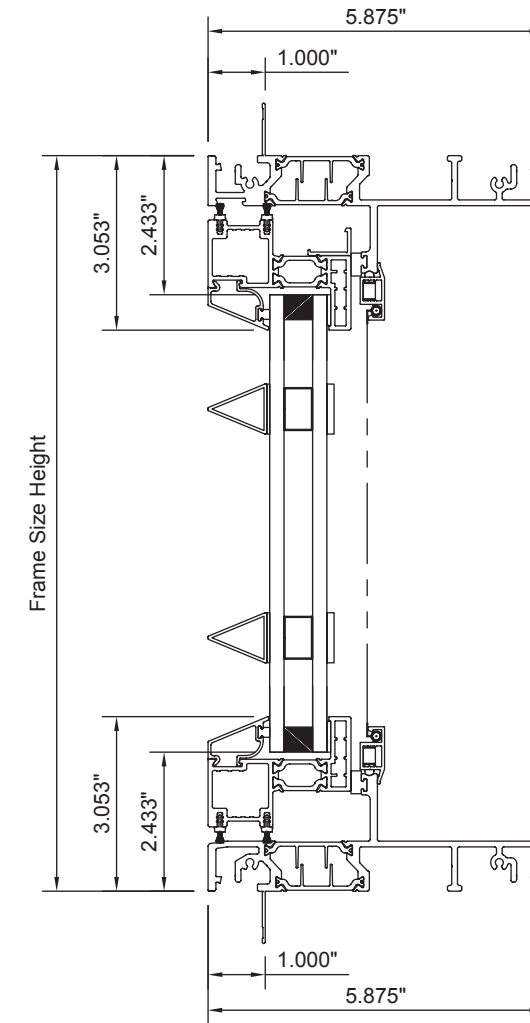


Series 7660s Awning Window

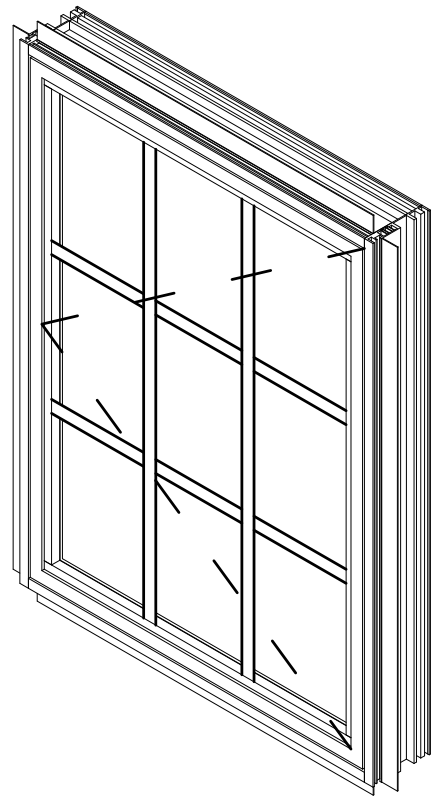


Features

- 0.38 U-value for standard low-E, argon-filled dual-pane glass
- 0.35 U-value for Cardinal i89 low-E, argon-filled dual-pane glass
- 0.30 U-value for high-performance triple-pane glass
- Available in widths from 20" to 60" and heights from 18" to 48"
- All-weather coated or high-performance glass from Cardinal IG
- Glass can be customized and includes options such as laminated glass, solar- and glare-control glass, enhanced winter performance glass, and low-maintenance glass
- Pre-applied Cardinal Preserve Film protects glass during installation
- Frame depth of 5.875"
- Performance rating of CW-PG60
- Extruded aluminum screens
- In-stock, designer, split, and custom finishes
- Title 24 compliant (California)



Series 7670s Casement Window



Features

- 0.37 U-value for standard low-E, argon-filled dual-pane glass
- 0.34 U-value for Cardinal i89 low-E, argon-filled dual-pane glass
- 0.29 U-value for high-performance triple-pane glass
- Available in widths from 18" to 36" and heights from 18" to 95.5"
- All-climate coated or high-performance glass from Cardinal IG
- Glass can be customized and includes options such as laminated glass, solar- and glare-control glass, enhanced winter performance glass, and low-maintenance glass
- Pre-applied Cardinal Preserve Film protects glass during installation
- Frame depth of 5.875"
- Performance rating of CW-PG50
- Extruded aluminum screens
- In-stock, designer, split, and custom finishes
- Title 24 compliant (California)

